

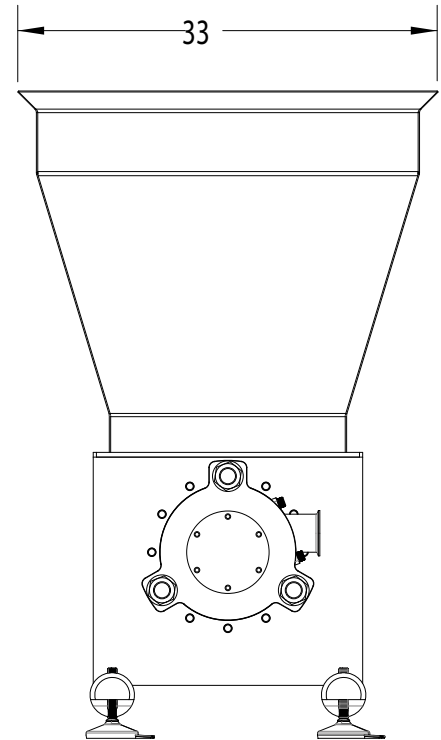
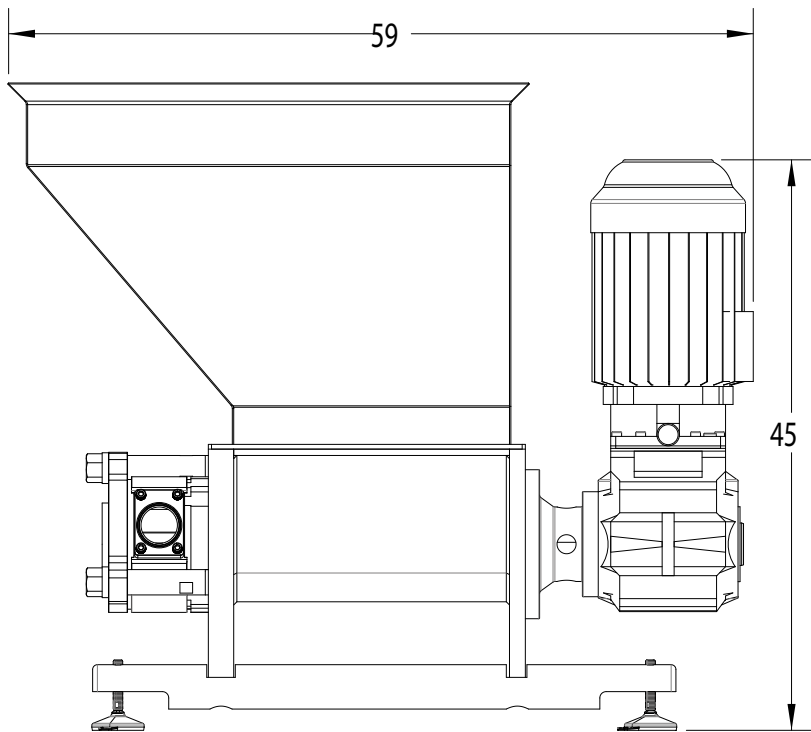
815-MP Meat Pump

EQUIPMENT HIGHLIGHTS

- 9,000-18,000 kg/hr (20,000-40,000 lbs/hr) capacity.
- 8" Feed screw.
- 3" Triclamp connection.
- Right, left, or up outlet discharge position.
- Single or dual vane available.
- Rolling or stationary base available.

**“POSS Pumps
Maintain Low Cost of
Ownership, Easy
Setup, and Compact
Footprints”**

POSS Design Limited
“World Leader in Quality Separation Solutions since 1978”



815-MP Meat Pump

TECH SPECS

NOTES:

INPUT CAPACITY	Up to 18,000 kg/hr (40,000 lbs/hr)
STANDARD CONFIGURATION	8" Feed Screw
MACHINE POWER	20-30 hp (15-22.5 kW)
TRANSMISSION	Direct Drive
HOPPER AGITATOR	Optional
HOPPER EXTENSION	Fully Customizable
DRIVE OPTIONS	Gearmotor with Isolation Zone
CONTROLS	Washdown VFD or Simple Start/Stop

POSS Design Limited
 "World Leader in Quality Separation Solutions since 1978"