

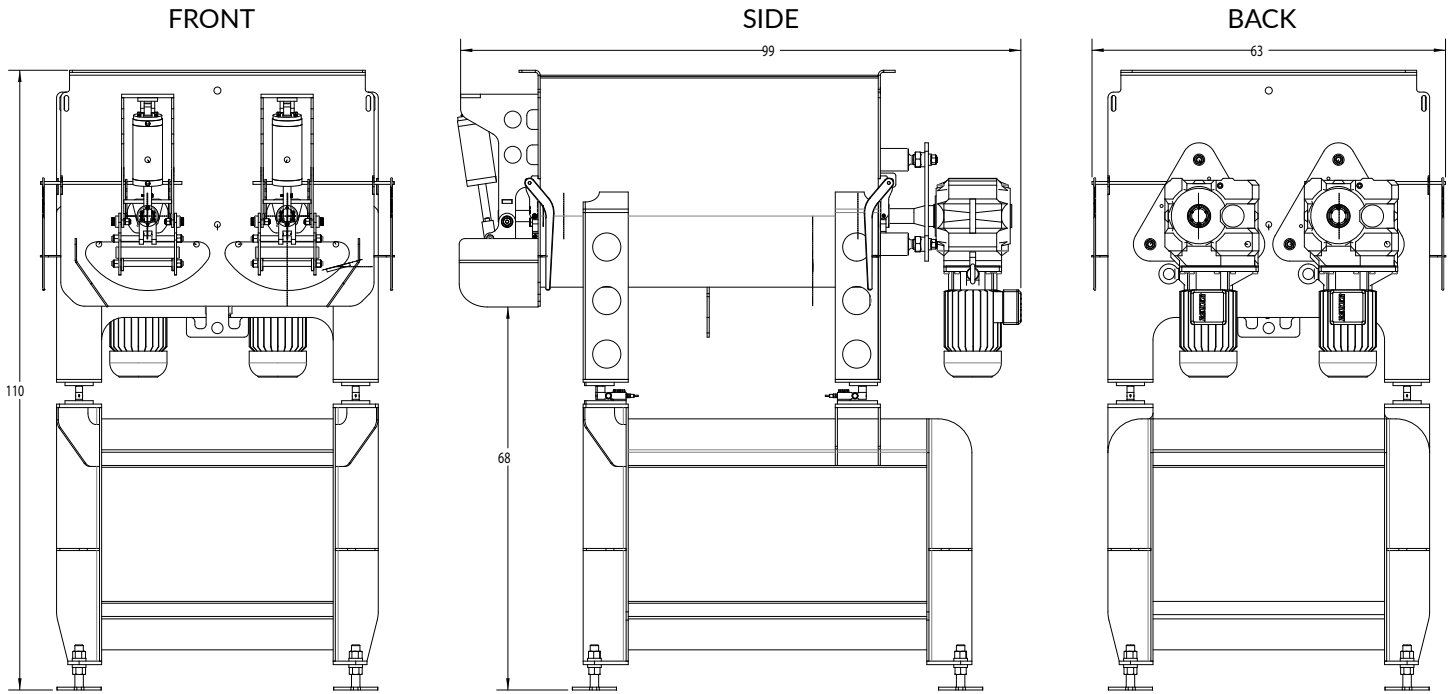
Blender

EQUIPMENT HIGHLIGHTS

- 1,000-2,000 kg (2,200-4,400 lbs) capacity.
- 68" Discharge height.
- Electronic or hydraulic load cells available.
- Ribbon or paddle construction available.
- Heavy duty SS, open channel design.
- CO2 & vacuum options available.

**“POSS Blenders
Implement Sanitary
Design and Require
Low Maintenance”**

POSS Design Limited
“World Leader in Quality Separation Solutions since 1978”



Blender

TECH SPECS

CAPACITY	Up to 2,000 kg (4,400 lbs)
FOOTPRINT	Variable
DRIVES	Direct Coupled Drive
POWER REQUIREMENT	2 x 10 hp (7.5 kW)
DOOR MECHANISM	2 x 5" SS Pneumatic Cylinders
SAFETY	Integrated Safety Grate
SANITATION	Quick-Release Shaft Seals
CONTROLS	Stand Alone or Integrated Controls

NOTES:

POSS Design Limited
 "World Leader in Quality Separation Solutions since 1978"