

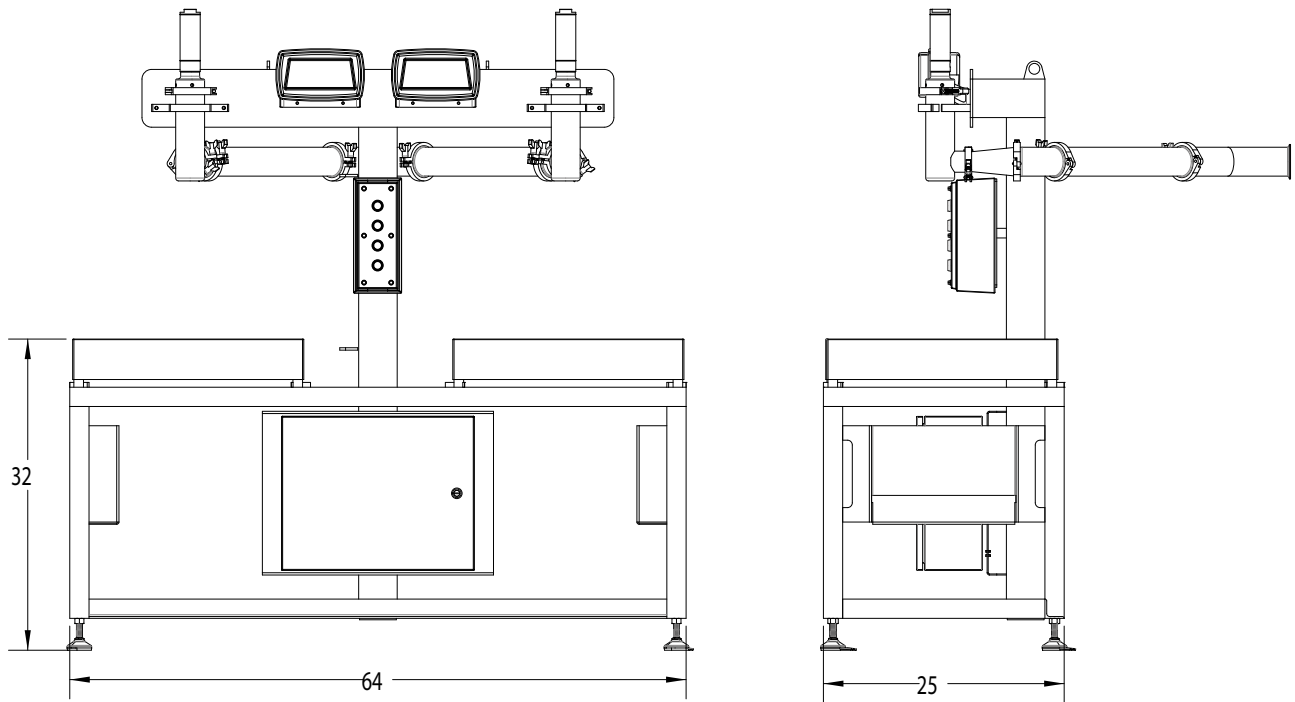
Box Filling Station

EQUIPMENT HIGHLIGHTS

- 1,000 -10,000 kg/hr (2,200-22,000 lbs/hr) capacity.
- Full Sanitary Design.
- 3" Triclamp connection.
- Auto-alternating product filling (plunger cutoff).
- Single or dual box filling stations available.
- +/- 2% Fill accuracy.

“POSS Box Filling Stations Maintain Low Cost of Ownership, Easy Setup, and Compact Footprints”

POSS Design Limited
“World Leader in Quality Separation Solutions since 1978”



Box Filling Station

TECH SPECS

INPUT CAPACITY Up to 10,000 kg/hr (22,000 lbs/hr)

STANDARD CONFIGURATION CAS X320 Scale Heads

MACHINE POWER 120 VAC, 80 Psi Air

SANITATION Fully Disassembleable

BOX FILL OPTION Horizontal or Vertical

STANDARD BOX 20 kg (44 lbs)

SCALE BED OPTIONS Roller Top or Flat

CONTROLS Stand Alone or Integrated

NOTES:

POSS Design Limited
 "World Leader in Quality Separation Solutions since 1978"