



ProMax 1000

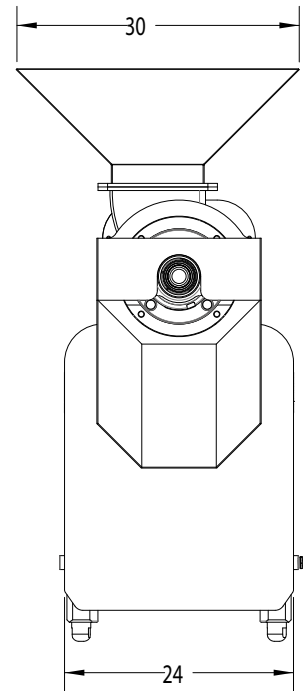
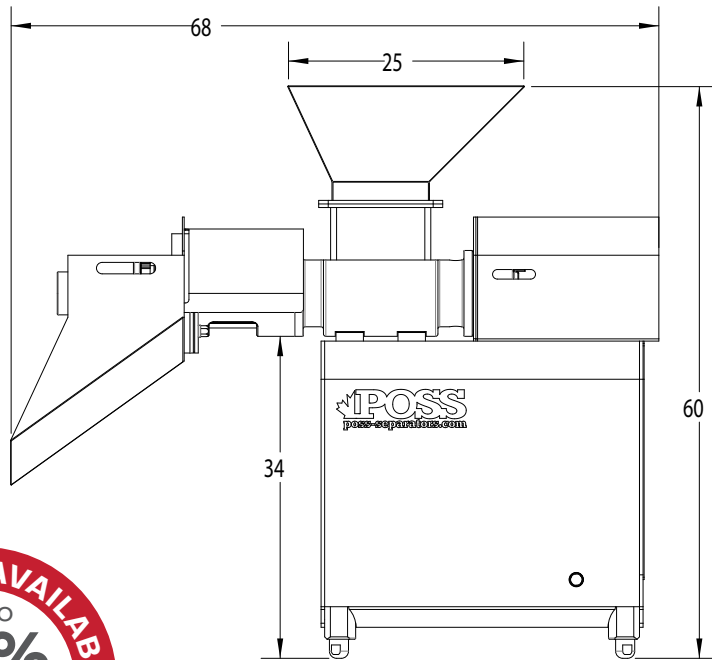
EQUIPMENT HIGHLIGHTS

- 1,000 kg/hr (2,200 lbs/hr) input capacity.
- 5" Separation screw (single or dual screws).
- 5" Head length (screen plates or perforated).
- 10-20 hp (7.5-15 kW) Motor.
- POSS Manual Restrictor.
- Integrated head cover & residue chute.

“POSS Maintains the Highest Yields and Lowest Temperature Rise in the Industry”

POSS Design Limited

“World Leader in Quality Separation Solutions since 1978”



ProMax 1000

TECH SPECS

INPUT CAPACITY	Up to 1,000 kg/hr (2,200 lbs/hr)
STANDARD CONFIGURATION	5" Single or Dual Screws
MACHINE POWER	10-20 hp (7.5-15 kW)
TRANSMISSION	Extruder Belt Drive
HOPPER GEOMETRY	10" x 10"
HOPPER EXTENSION	Standard - 25" x 30"
HEAD GEOMETRY	5" x 5"
CONTROLS	HMI Control Panel with Line Integration or Simple Start/Stop

NOTES:

POSS Design Limited
 "World Leader in Quality Separation Solutions since 1978"