



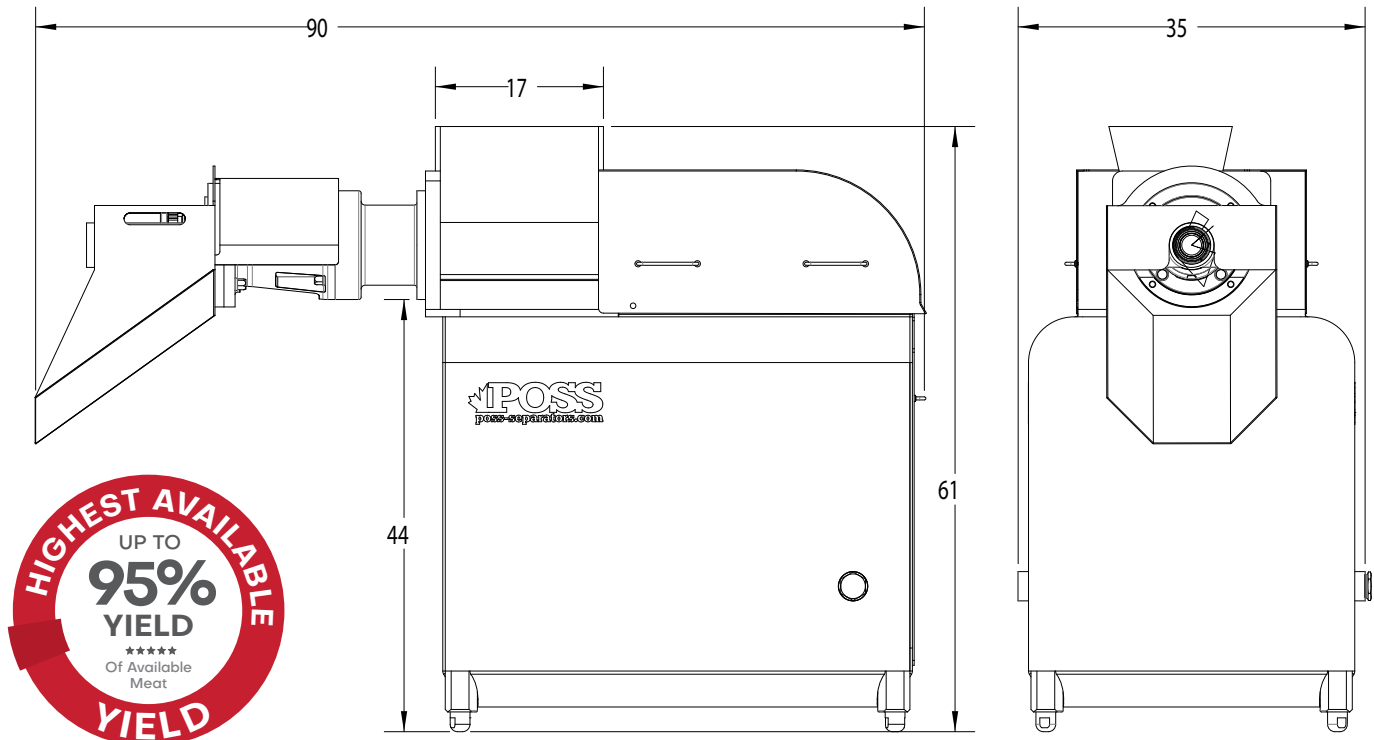
ProMax 3000

EQUIPMENT HIGHLIGHTS

- 3,000 kg/hr (6,500 lbs/hr) input capacity.
- 5" Separation screw (single or dual screws).
- 8" Head length (screen plates or perforated).
- 30-40 hp (22-30 kW) Motor.
- POSS Auto Restrictor option available.
- Integrated head cover & residue chute.

“POSS Maintains the Highest Yields and Lowest Temperature Rise in the Industry”

POSS Design Limited
 “World Leader in Quality Separation Solutions since 1978”



ProMax 3000

TECH SPECS

INPUT CAPACITY	Up to 3,000 kg/hr (6,500 lbs/hr)
STANDARD CONFIGURATION	5" Single or Dual Screws
MACHINE POWER	30-40 hp (22-30 kW)
TRANSMISSION	Extruder Belt Drive
HOPPER GEOMETRY	17" x 12"
HOPPER EXTENSION	Customizable
HEAD GEOMETRY	5" x 8"
CONTROLS	HMI Control Panel with line integration

NOTES:

POSS Design Limited
 "World Leader in Quality Separation Solutions since 1978"