

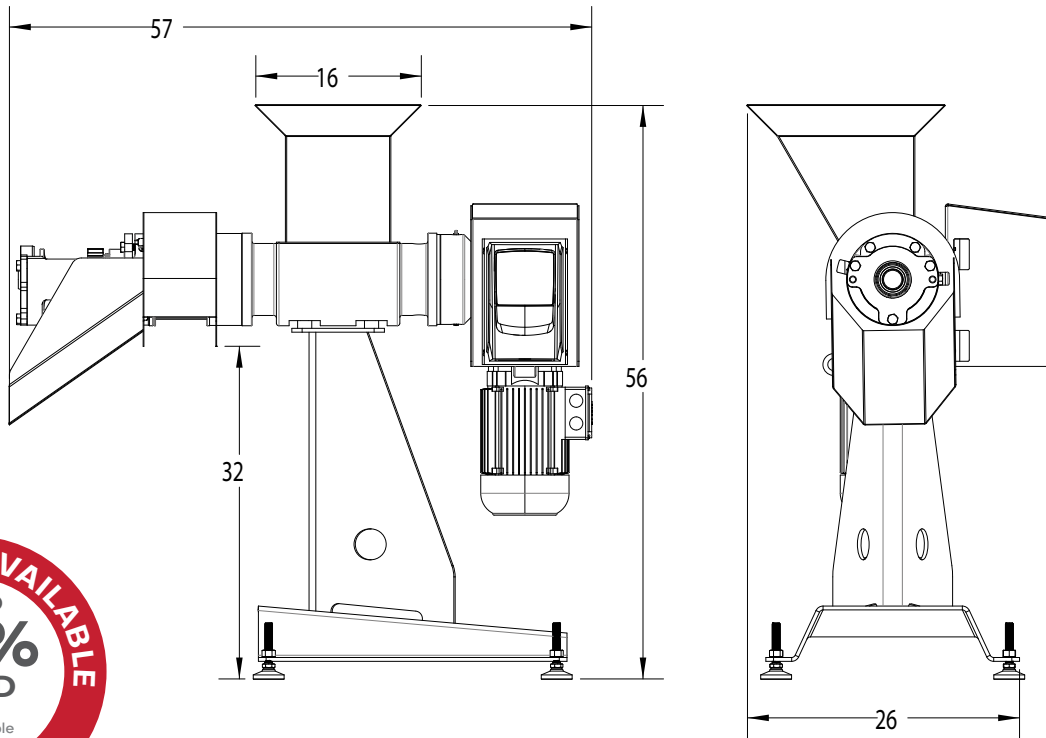
ProMax 300C

EQUIPMENT HIGHLIGHTS

- 500 kg/hr (1,100 lbs/hr) input capacity.
- 4" Separation screw (single or dual screws).
- 5" Head length (screen plates or perforated).
- 7.5 hp (6 kW) Motor.
- POSS Manual Restrictor.
- Integrated head cover & residue chute.

“POSS Maintains the Highest Yields and Lowest Temperature Rise in the Industry”

POSS Design Limited
 “World Leader in Quality Separation Solutions since 1978”



ProMax 300C

TECH SPECS

INPUT CAPACITY	Up to 500 kg/hr (1,100 lbs/hr)
STANDARD CONFIGURATION	4" Single or Dual Screws
MACHINE POWER	7.5 hp (6 kW)
TRANSMISSION	Direct Drive
HOPPER GEOMETRY	16" x 19"
HOPPER EXTENSION	Standard
HEAD GEOMETRY	4" x 5"
CONTROLS	Mounted Washdown VFD or Simple Start/Stop

NOTES:

POSS Design Limited
 "World Leader in Quality Separation Solutions since 1978"