

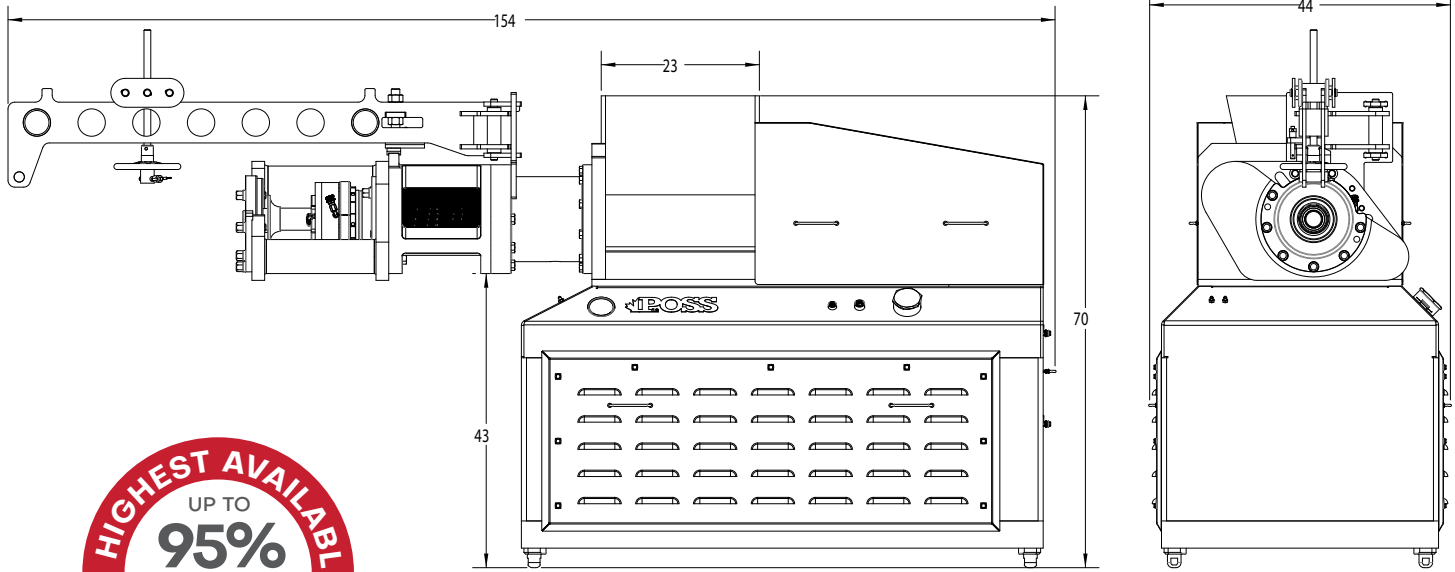
# ProMax 7000

## EQUIPMENT HIGHLIGHTS

- 8,000 kg/hr (17,500 lbs/hr) input capacity.
- 7" Separation screw (single or dual screws).
- 11.5" Head length (screen plates or perforated).
- 100-125 hp (75-95 kW) Motor.
- POSS Auto Restrictor option available.
- Integrated assembly crane.

**“POSS Maintains the Highest Yields and Lowest Temperature Rise in the Industry”**

POSS Design Limited  
 “World Leader in Quality Separation Solutions since 1978”



# ProMax 7000

## TECH SPECS

INPUT CAPACITY	Up to 8,000 kg/hr (17,500 lbs/hr)
STANDARD CONFIGURATION	7" Single Screw Setup
MACHINE POWER	100-125 hp (75-95 kW)
TRANSMISSION	Extruder Belt Drive
HOPPER GEOMETRY	23" x 18"
HOPPER EXTENSION	Customizable
HEAD GEOMETRY	7" x 11.5"
CONTROLS	HMI Control Panel with line integration

## NOTES:

---

---

---

---

---

---

---

---

POSS Design Limited  
 "World Leader in Quality Separation Solutions since 1978"