



Infeed Screw Conveyor

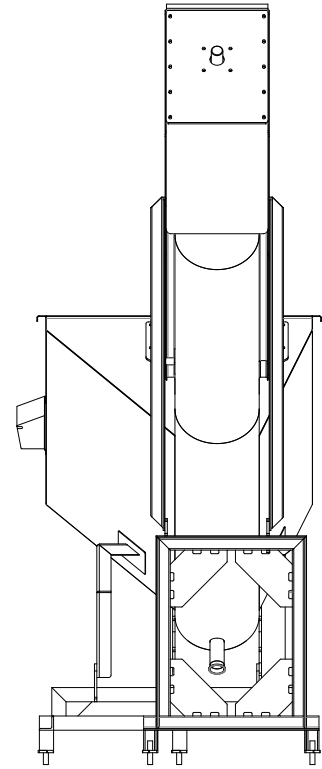
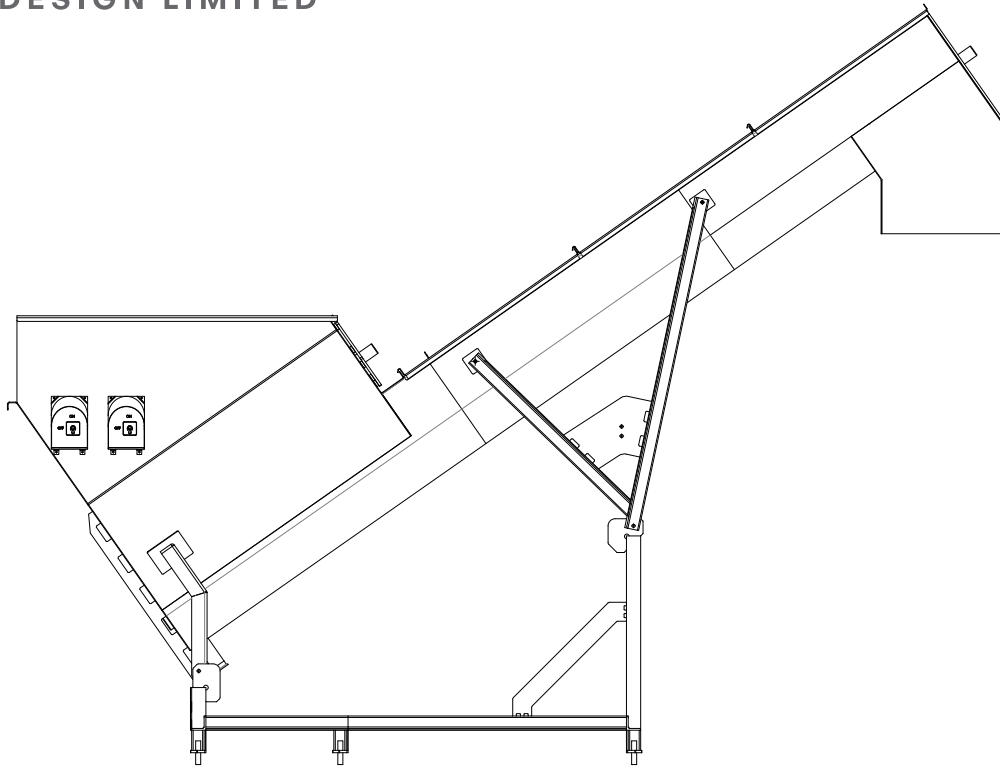
EQUIPMENT HIGHLIGHTS

- Up to 1,400 kg (3000 lbs) surge capacity.
- Full sanitary design.
- Offset hopper geometry.
- 16" standard screw design.
- Interlocked screw cover doors.
- Agitated hopper standard.

**“POSS Conveyors
Maintain Low Cost of
Ownership, Sanitary
Design and are Fully
Customizable”**

POSS Design Limited

“World Leader in Quality Separation Solutions since 1978”



Infeed Screw Conveyor

TECH SPECS

HOPPER CAPACITY	Up to 1,400 kg (3000 lbs)
DISCHARGE HEIGHT	Customizable
POWER	7.5hp Screw/5hp Agitator
SANITATION	Open Channel Design
SCREW	Double Reinforced Screw
HOPPER AGITATOR	Standard
SCREW DETAIL	Increasing Pitch
CONTROLS	Stand Alone or Integrated

NOTES:

POSS Design Limited
 "World Leader in Quality Separation Solutions since 1978"