

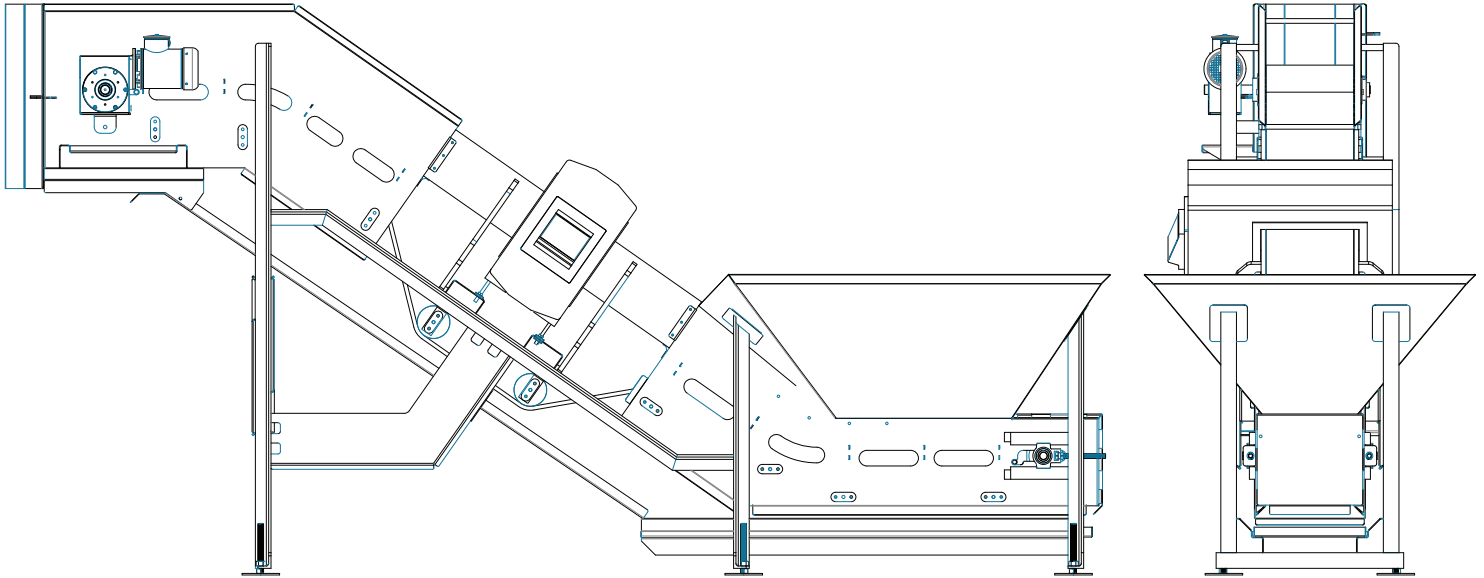
Infeed Belt Conveyor

EQUIPMENT HIGHLIGHTS

- Up to 1,400 kg (3000 lbs) surge capacity.
- Full sanitary design.
- Metal free zone.
- Cascading drip pans.
- Full stainless gearmotor.
- Modular belting.

**“POSS Conveyors
Maintain Low Cost of
Ownership, Sanitary
Design and are Fully
Customizable”**

POSS Design Limited
“World Leader in Quality Separation Solutions since 1978”



Infeed Belt Conveyor

TECH SPECS

HOPPER CAPACITY	Up to 1,400 kg (3000 lbs)
DISCHARGE HEIGHT	Customizable
POWER	Up to 2hp
SANITATION	Open Channel Design
METAL DETECTOR	Built to Suit
HOPPER AGITATOR	Optional
BELTING	Modular/Customizable
CONTROLS	Stand Alone or Integrated

NOTES:

POSS Design Limited
 "World Leader in Quality Separation Solutions since 1978"