

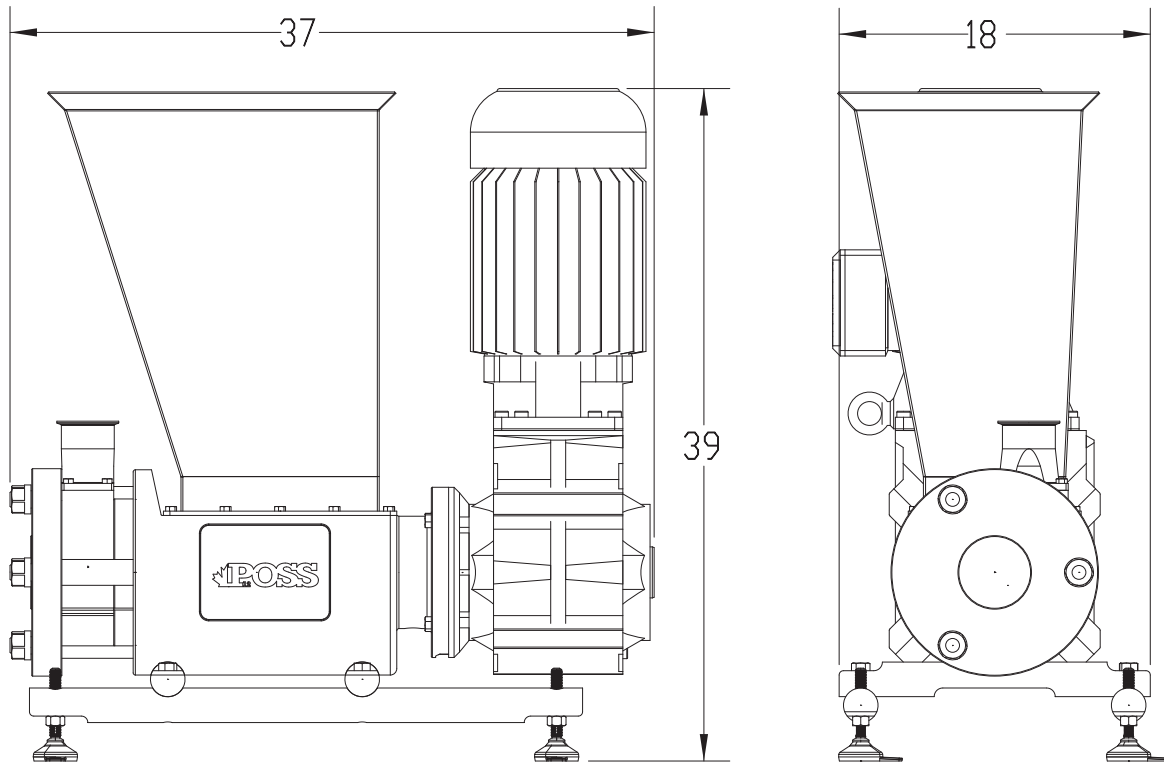
PKR-MP MZ Meat Pump

EQUIPMENT HIGHLIGHTS

- 9,000-13,500 kg/hr (20,000-30,000 lbs/hr) capacity.
- 6" Feed screw.
- 3" Triclamp connection.
- Right, left, or up outlet discharge position.
- Single or dual vane available.
- Rolling or stationary base available.

**“POSS Pumps
Maintain Low Cost of
Ownership, Easy
Setup, and Compact
Footprints”**

POSS Design Limited
“World Leader in Quality Separation Solutions since 1978”



PKR-MP MZ Meat Pump

TECH SPECS

INPUT CAPACITY	Up to 13,500 kg/hr (30,000 lbs/hr)
STANDARD CONFIGURATION	6" Feed Screw
MACHINE POWER	10-20 hp (7.5-15 kW)
TRANSMISSION	Direct Drive
HOPPER AGITATOR	Optional
HOPPER EXTENSION	Fully Customizable
DRIVE OPTIONS	Full Stainless or Painted Available
CONTROLS	Washdown VFD or Simple Start/Stop

NOTES:

POSS Design Limited
 "World Leader in Quality Separation Solutions since 1978"