



# ProMax 1000

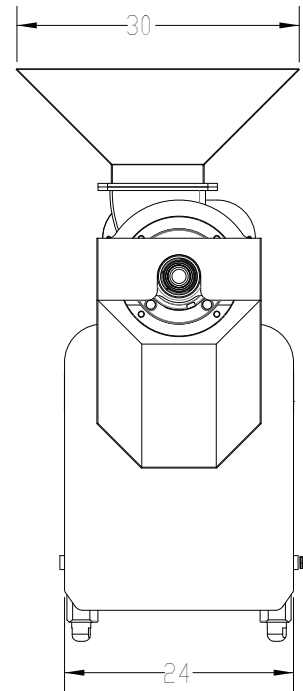
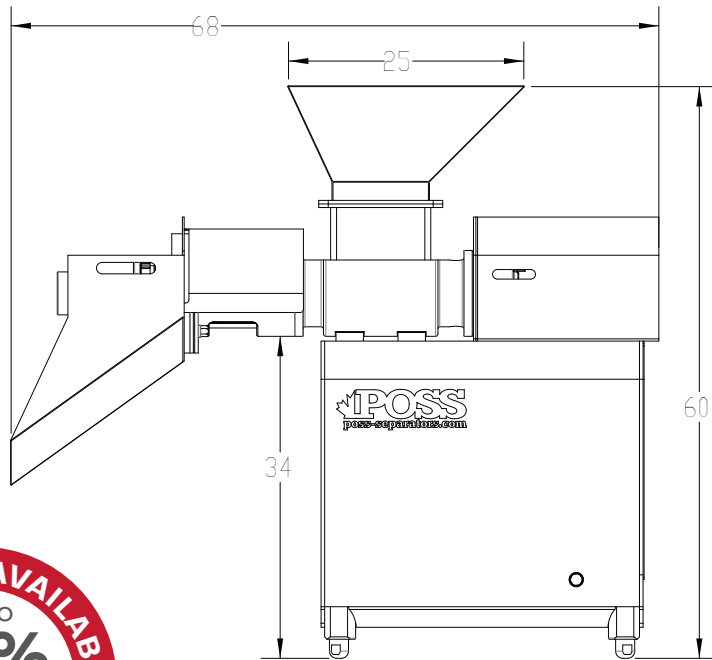
## EQUIPMENT HIGHLIGHTS

- 1,000 kg/hr (2,200 lbs/hr) input capacity.
- 5" Separation screw (single or dual screws).
- 5" Head length (screen plates or perforated).
- 20 hp (15 kW) Motor.
- POSS Manual Restrictor.
- Integrated head cover & residue chute.

**“POSS Maintains the Highest Yields and Lowest Temperature Rise in the Industry”**

POSS Design Limited

“World Leader in Quality Separation Solutions since 1978”



# ProMax 1000

## TECH SPECS

INPUT CAPACITY Up to 1,000 kg/hr (2,200 lbs/hr)

STANDARD CONFIGURATION 5" Single or Dual Screws

MACHINE POWER 20 hp (15 kW)

TRANSMISSION Extruder Belt Drive

HOPPER GEOMETRY 10" x 10"

HOPPER EXTENSION Standard - 25" x 30"

HEAD GEOMETRY 5" x 5"

CONTROLS HMI Control Panel with Line Integration or Simple Start/Stop

## NOTES:

---

---

---

---

---

---

---

---

POSS Design Limited  
 "World Leader in Quality Separation Solutions since 1978"