

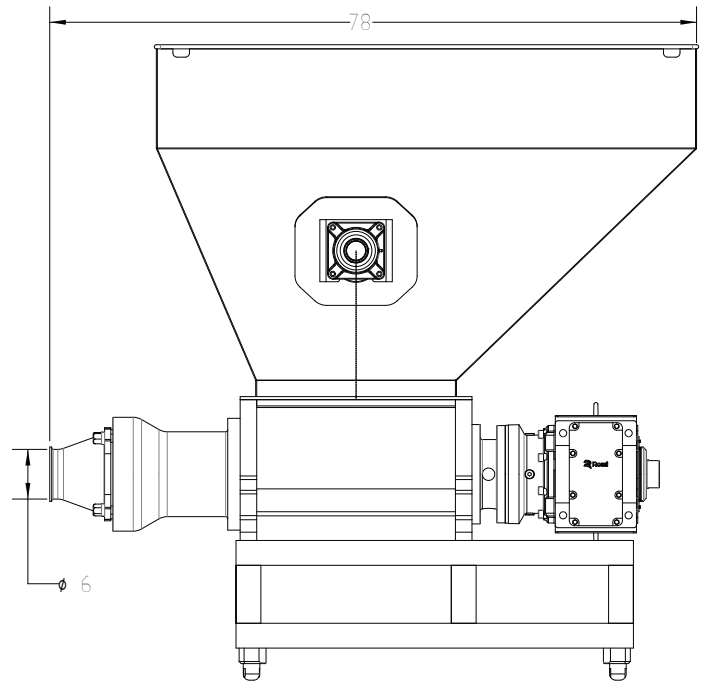
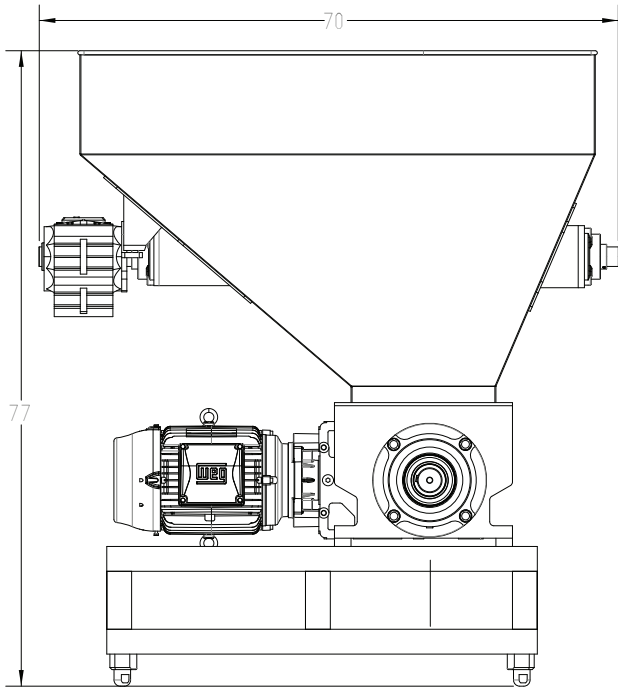
Vortex Feed System

EQUIPMENT HIGHLIGHTS

- Up to 9,000 kg/hr (20,000 lbs/hr) capacity.
- 8" Feed screw.
- 6" Triclamp connection.
- Front discharge position.
- Standard assembly tools and wash cart included.
- Small footprint & sanitary design.

**“The POSS Vortex
Pre-Sizes and
Conveys Large Bone
Material for
Separation ALL in a
Compact Footprint”**

POSS Design Limited
“World Leader in Quality Separation Solutions since 1978”



Vortex

TECH SPECS

INPUT CAPACITY Up to 9,000 kg/hr (20,000 lbs/hr)

STANDARD CONFIGURATION 8" Feed Screw

MACHINE POWER 20 hp (15 kW)

TRANSMISSION Direct Drive

HOPPER AGITATOR Standard

HOPPER EXTENSION Customizable

DRIVE OPTIONS Gearmotor with Isolation Zone

CONTROLS Washdown VFD or Simple Start/Stop

NOTES:

POSS Design Limited
 "World Leader in Quality Separation Solutions since 1978"