

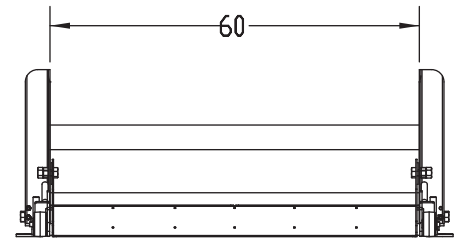
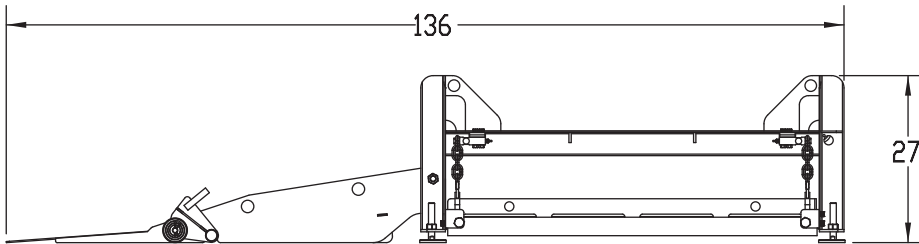
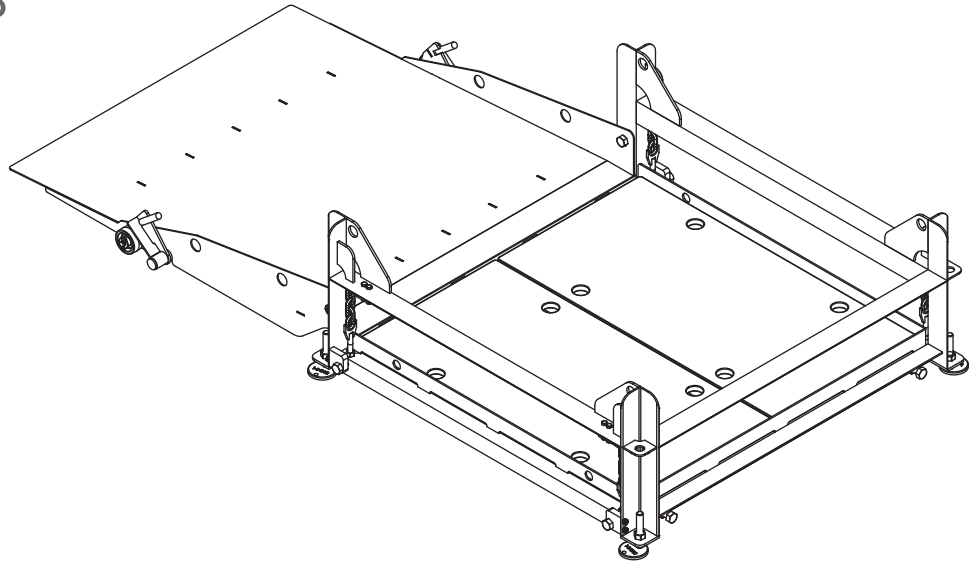
Low Profile Floor Scale

EQUIPMENT HIGHLIGHTS

- Up to 1,400 kg (3000 lbs) capacity.
- Full sanitary design.
- Removable, heavy duty UHMW floor panels.
- Lifting pivot ramp for sanitation.
- Above floor stainless steel load cells.
- Full stainless steel open channel construction.

**“POSS Floor Scales
Maintain Low Cost of
Ownership, Sanitary
Design and are Fully
Customizable”**

POSS Design Limited
“World Leader in Quality Separation Solutions since 1978”



Low Profile Floor Scale

TECH SPECS

NOTES:

LOAD CAPACITY	Up to 1,400 kg (3000 lbs)
DISCHARGE HEIGHT	Customizable
POWER	120/240V
SANITATION	Open Channel Design
LOAD CELLS	Stainless Steel
FLOOR PANELS	UHMW
RAMP DETAIL	Lifting pivot base
CONTROLS	Stand Alone or Integrated

POSS Design Limited
"World Leader in Quality Separation Solutions since 1978"