

815-MP Meat Pump

EQUIPMENT HIGHLIGHTS

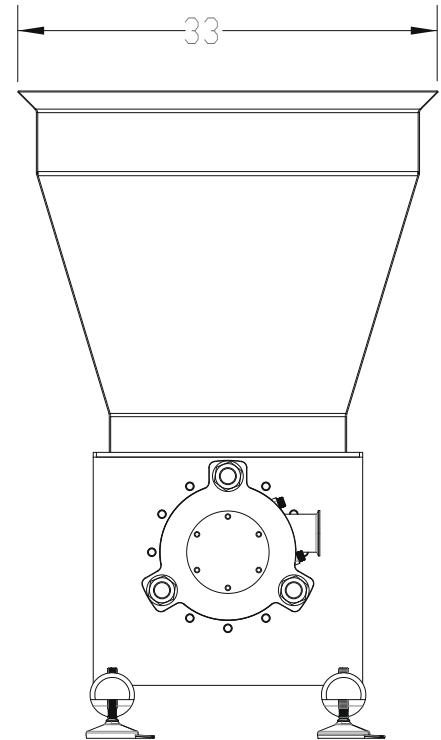
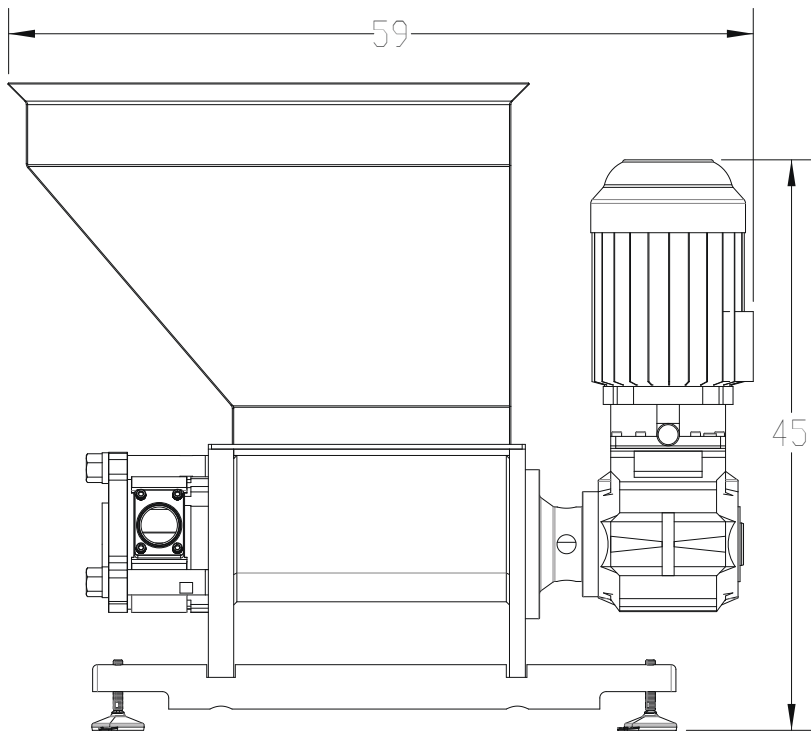
- 9,000-18,000 kg/hr (20,000-40,000 lbs/hr) capacity.
- 8" Feed screw.
- 3" Triclamp connection.
- Right, left, or up outlet discharge position.
- Single or dual vane available.
- Rolling or stationary base available.

**“POSS Pumps
Maintain Low Cost of
Ownership, Easy
Setup, and Compact
Footprints”**

“World Leader in Quality Separation Solutions since 1978”



A DURAVANT COMPANY



815-MP Meat Pump

TECH SPECS

INPUT CAPACITY Up to 18,000 kg/hr (40,000 lbs/hr)

STANDARD CONFIGURATION 8" Feed Screw

MACHINE POWER 20-30 hp (15-22.5 kW)

TRANSMISSION Direct Drive

HOPPER AGITATOR Optional

HOPPER EXTENSION Fully Customizable

DRIVE OPTIONS Gearmotor with Isolation Zone

CONTROLS Washdown VFD or Simple Start/Stop

NOTES:

"World Leader in Quality Separation Solutions since 1978"