

CMT-MP Meat Pump

EQUIPMENT HIGHLIGHTS

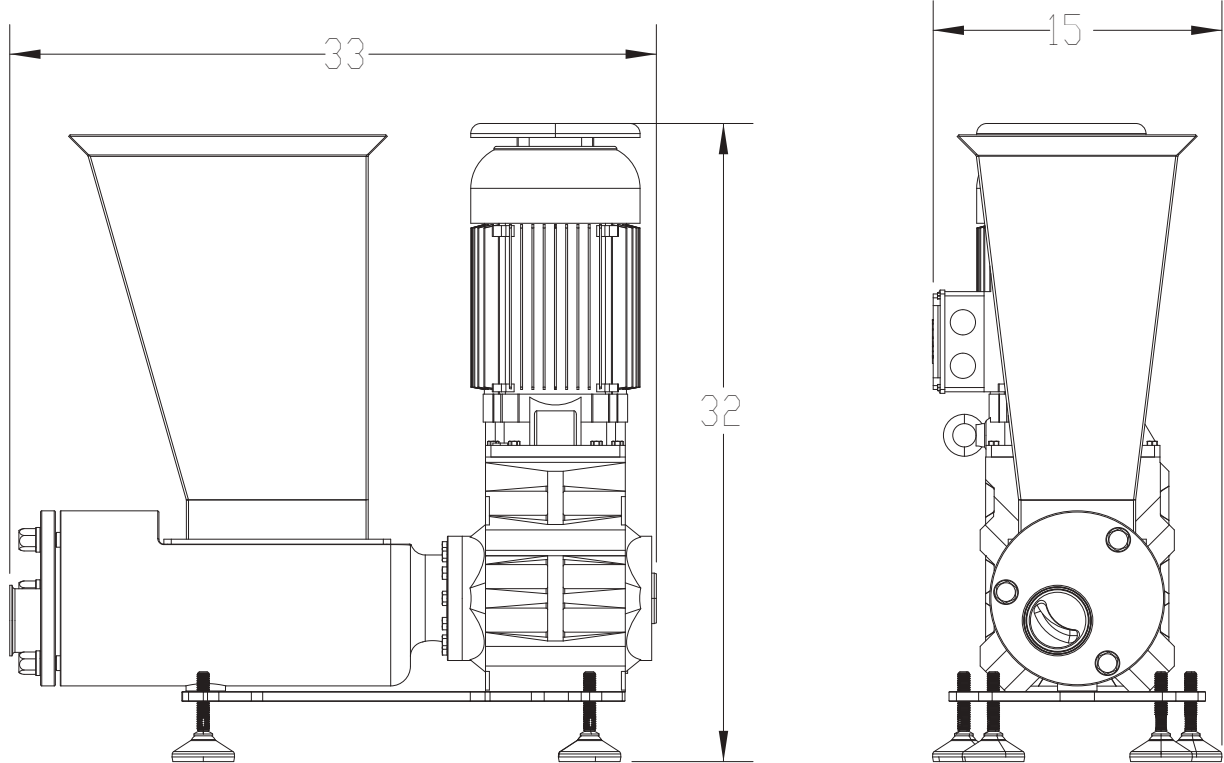
- Up to 2,500 kg/hr (Up to 5,500 lbs/hr) capacity.
- 5" Feed screw.
- 3" Triclamp connection.
- 5 hp (3.7 kW) motor.
- Single or dual vane available.
- Sanitary machined stainless steel design.

**“POSS Pumps
Maintain Low Cost of
Ownership, Easy
Setup, and Compact
Footprints”**

“World Leader in Quality Separation Solutions since 1978”



A DURAVANT COMPANY



CMP-MP Meat Pump

TECH SPECS

NOTES:

INPUT CAPACITY	Up to 2,500 kg/hr (5,500 lbs/hr)
STANDARD CONFIGURATION	5" Feed Screw
MACHINE POWER	5 hp (3.7 kW)
TRANSMISSION	Direct Drive
MICRO PARTS CART	Optional
HOPPER EXTENSION	Fully Customizable
DRIVE OPTIONS	Full Stainless or Painted Available
CONTROLS	Washdown VFD or Simple Start/Stop

"World Leader in Quality Separation Solutions since 1978"