

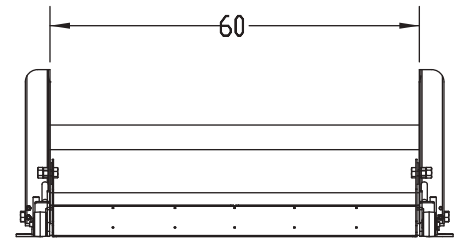
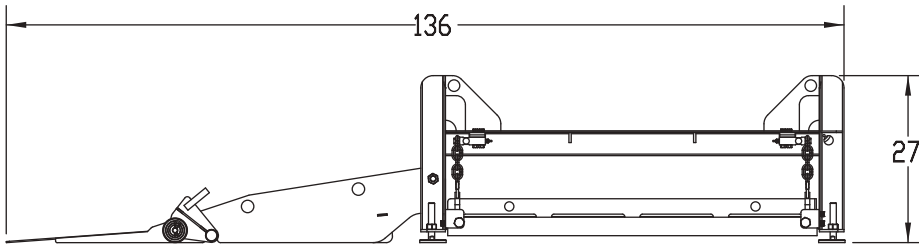
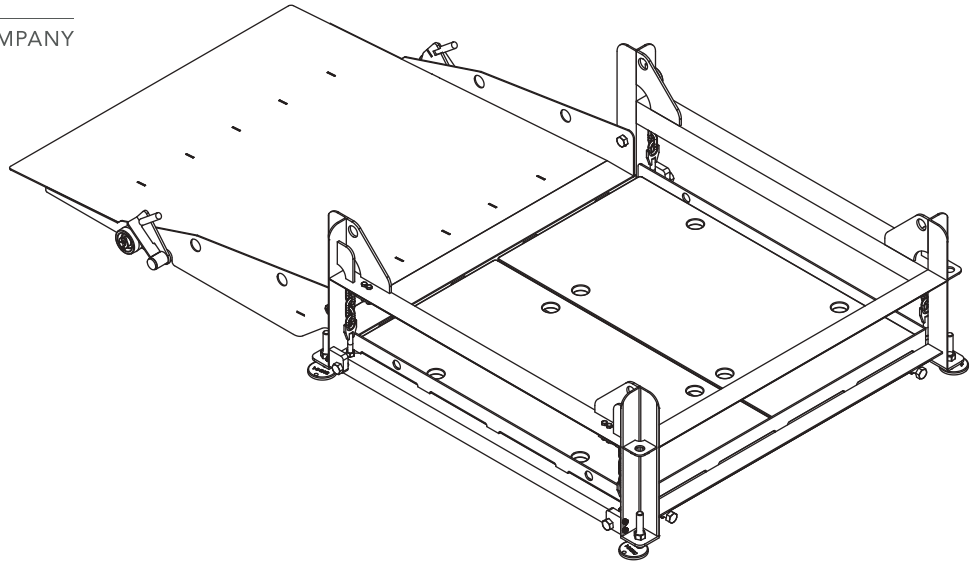
Low Profile Floor Scale

EQUIPMENT HIGHLIGHTS

- Up to 1,400 kg (3000 lbs) capacity.
- Full sanitary design.
- Removable, heavy duty UHMW floor panels.
- Lifting pivot ramp for sanitation.
- Above floor stainless steel load cells.
- Full stainless steel open channel construction.

**“POSS Floor Scales
Maintain Low Cost of
Ownership, Sanitary
Design and are Fully
Customizable”**

“World Leader in Quality Separation Solutions since 1978”



Low Profile Floor Scale

TECH SPECS

LOAD CAPACITY	Up to 1,400 kg (3000 lbs)
DISCHARGE HEIGHT	Customizable
POWER	120/240V
SANITATION	Open Channel Design
LOAD CELLS	Stainless Steel
FLOOR PANELS	UHMW
RAMP DETAIL	Lifting pivot base
CONTROLS	Stand Alone or Integrated

NOTES:

"World Leader in Quality Separation Solutions since 1978"