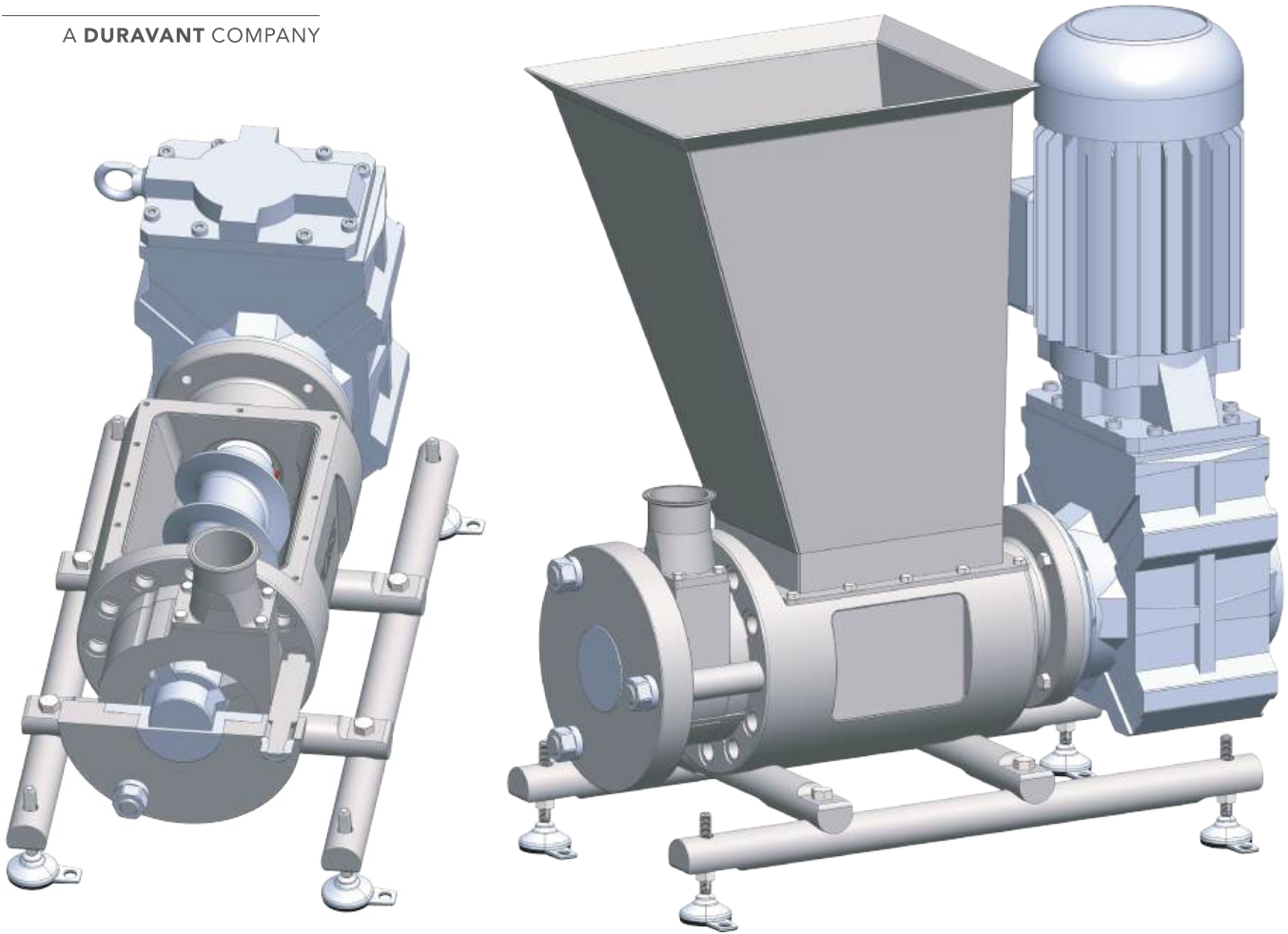




A DURAVANT COMPANY



# PKR-MP MZ Meat Pump

## EQUIPMENT HIGHLIGHTS

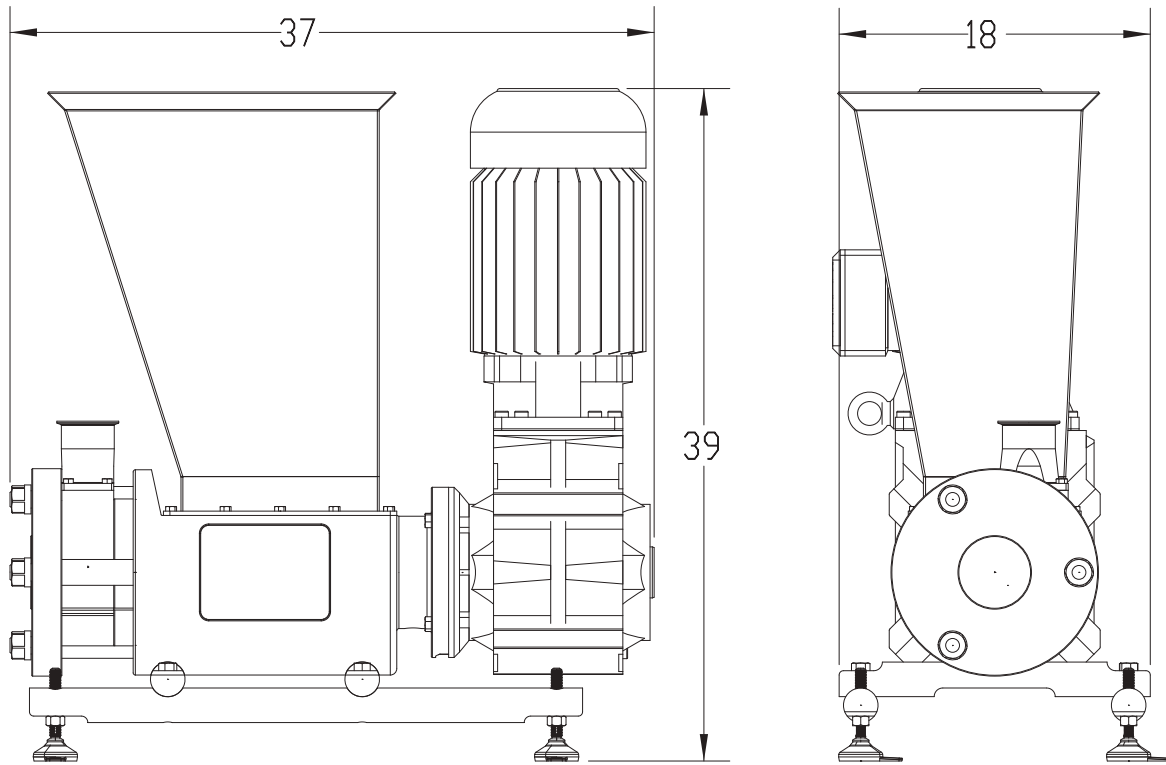
- 9,000-13,500 kg/hr (20,000-30,000 lbs/hr) capacity.
- 6" Feed screw.
- 3" Triclamp connection.
- Right, left, or up outlet discharge position.
- Single or dual vane available.
- Rolling or stationary base available.

**“POSS Pumps  
Maintain Low Cost of  
Ownership, Easy  
Setup, and Compact  
Footprints”**

“World Leader in Quality Separation Solutions since 1978”



A DURAVANT COMPANY



# PKR-MP MZ Meat Pump

## TECH SPECS

## NOTES:

INPUT CAPACITY Up to 13,500 kg/hr (30,000 lbs/hr)

STANDARD CONFIGURATION 6" Feed Screw

MACHINE POWER 10-20 hp (7.5-15 kW)

TRANSMISSION Direct Drive

HOPPER AGITATOR Optional

HOPPER EXTENSION Fully Customizable

DRIVE OPTIONS Full Stainless or Painted Available

CONTROLS Washdown VFD or Simple Start/Stop

Horizontal lines for notes.

"World Leader in Quality Separation Solutions since 1978"