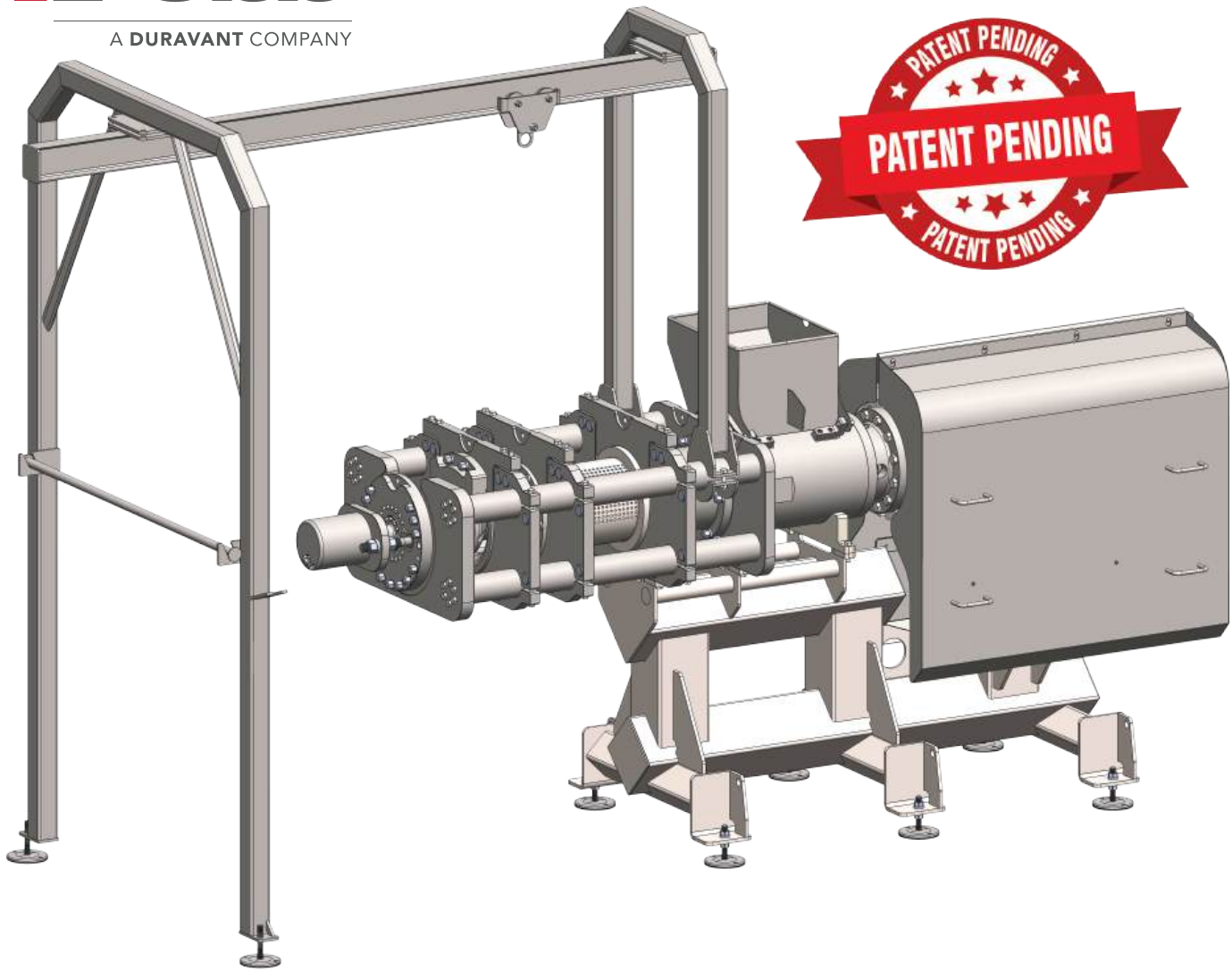




A DURAVANT COMPANY



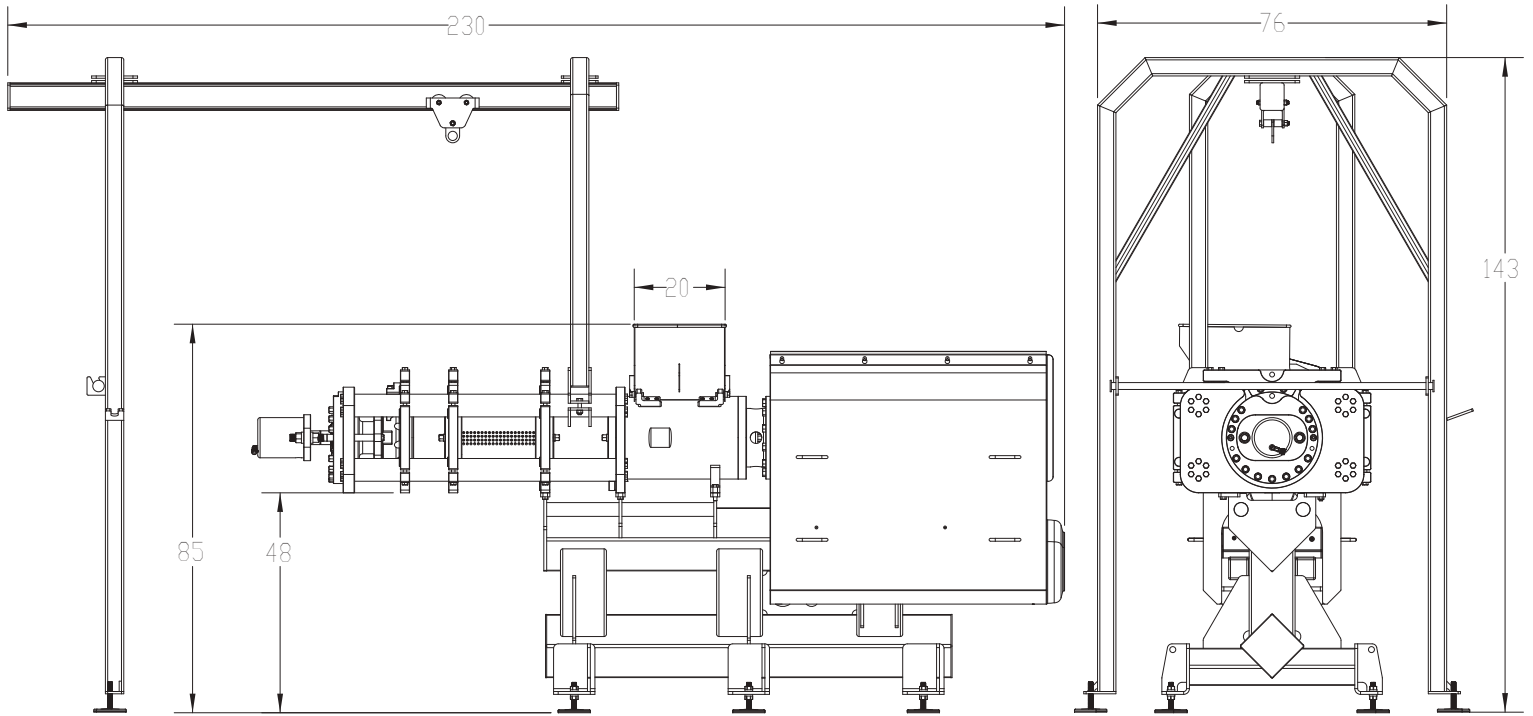
ProMax 11CP

EQUIPMENT HIGHLIGHTS

- 6,800 kg/hr (15,000 lbs/hr) input capacity.
- 11" Separation screw.
- 16" Head length (Drilled Screen).
- 75 hp (55 kW) Motor.
- POSS Auto Restrictor standard.
- Low RPM High Torque Drive Train.
- Continuous Press Operation.

“POSS Maintains the Highest Yields and Lowest Temperature Rise in the Industry”

“World Leader in Quality Separation Solutions since 1978”



ProMax 11CP

TECH SPECS

INPUT CAPACITY Up to 6,800 kg/hr (15,000 lbs/hr)

STANDARD CONFIGURATION 11" Single Screw Setup

MACHINE POWER 75hp (55kW)

TRANSMISSION Double Reduction Direct Drive

HOPPER GEOMETRY 24" x 20"

HOPPER EXTENSION Customizable

HEAD GEOMETRY 11" x 16"

CONTROLS HMI Control Panel with line integration

NOTES:



"World Leader in Quality Separation Solutions since 1978"