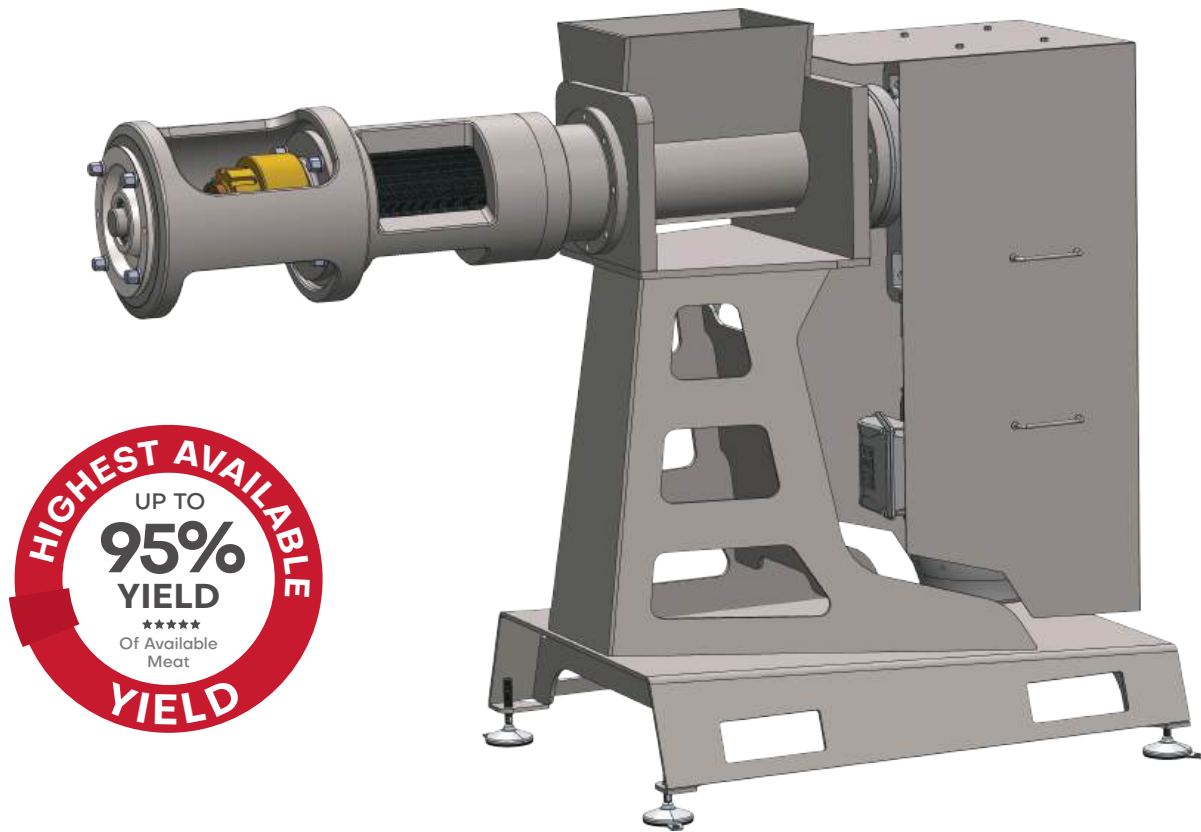




A DURAVANT COMPANY



# ProMax 1200C

## EQUIPMENT HIGHLIGHTS

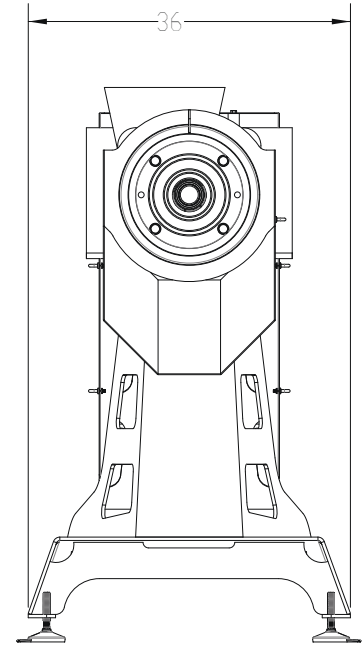
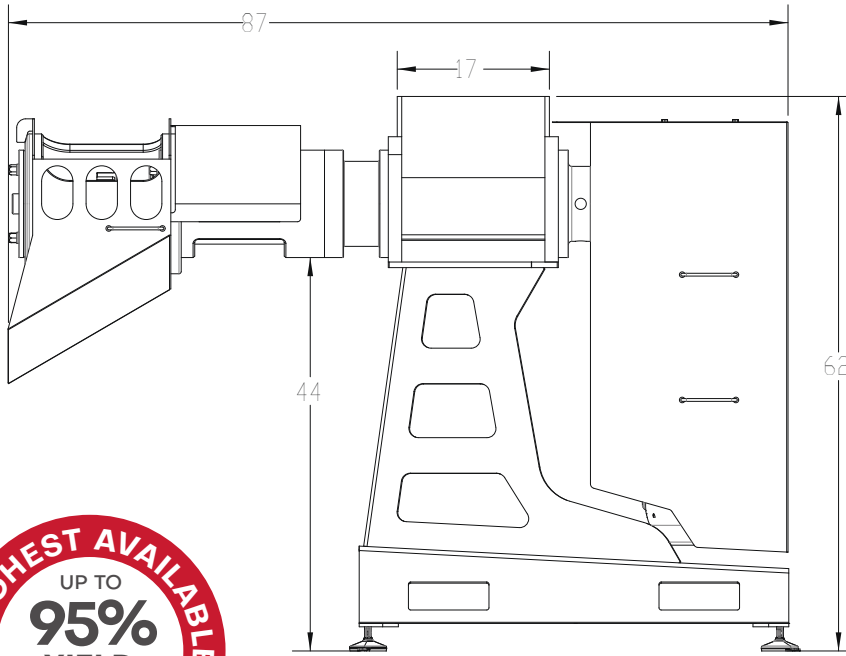
- 1,200 kg/hr (2,600 lbs/hr) input capacity.
- 6" Separation screw (single or dual screws).
- 10" Head length (screen plates or perforated).
- 10-20 hp (7.5-15 kW) Motor.
- POSS Manual Restrictor.
- Integrated head cover & residue chute.

**“POSS Maintains the Highest Yields and Lowest Temperature Rise in the Industry”**

“World Leader in Quality Separation Solutions since 1978”



A DURAVANT COMPANY



# ProMax 1200C

## TECH SPECS

INPUT CAPACITY	Up to 1,200 kg/hr (2,600 lbs/hr)
STANDARD CONFIGURATION	6" Single or Dual Screws
MACHINE POWER	10-20 hp (7.5-15 kW)
TRANSMISSION	Direct Extruder Drive
HOPPER GEOMETRY	17" x 13"
HOPPER EXTENSION	Customizable
HEAD GEOMETRY	6" x 10"
CONTROLS	HMI Control Panel with Line Integration or Simple Start/Stop

## NOTES:

---

---

---

---

---

---

---

---

"World Leader in Quality Separation Solutions since 1978"