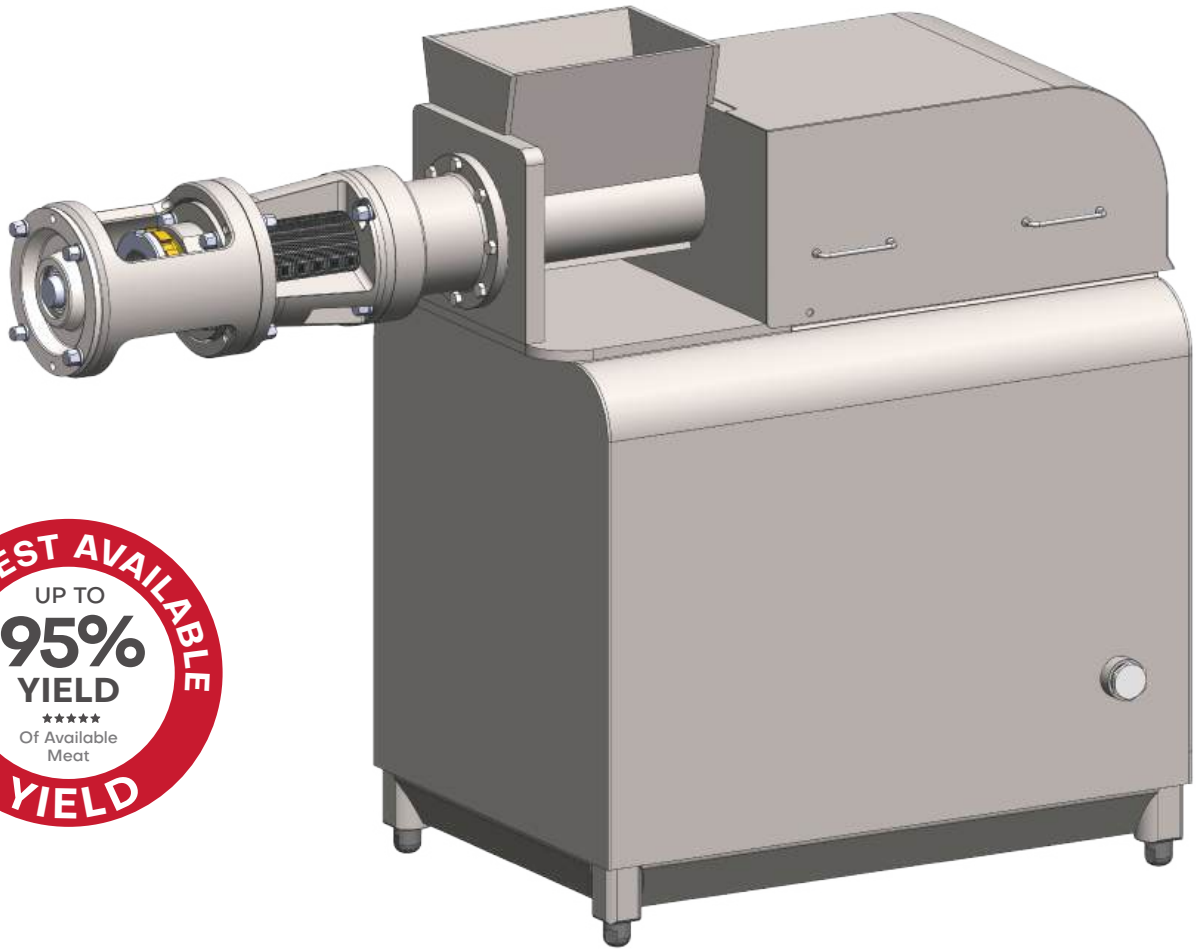




A DURAVANT COMPANY



ProMax 1500

EQUIPMENT HIGHLIGHTS

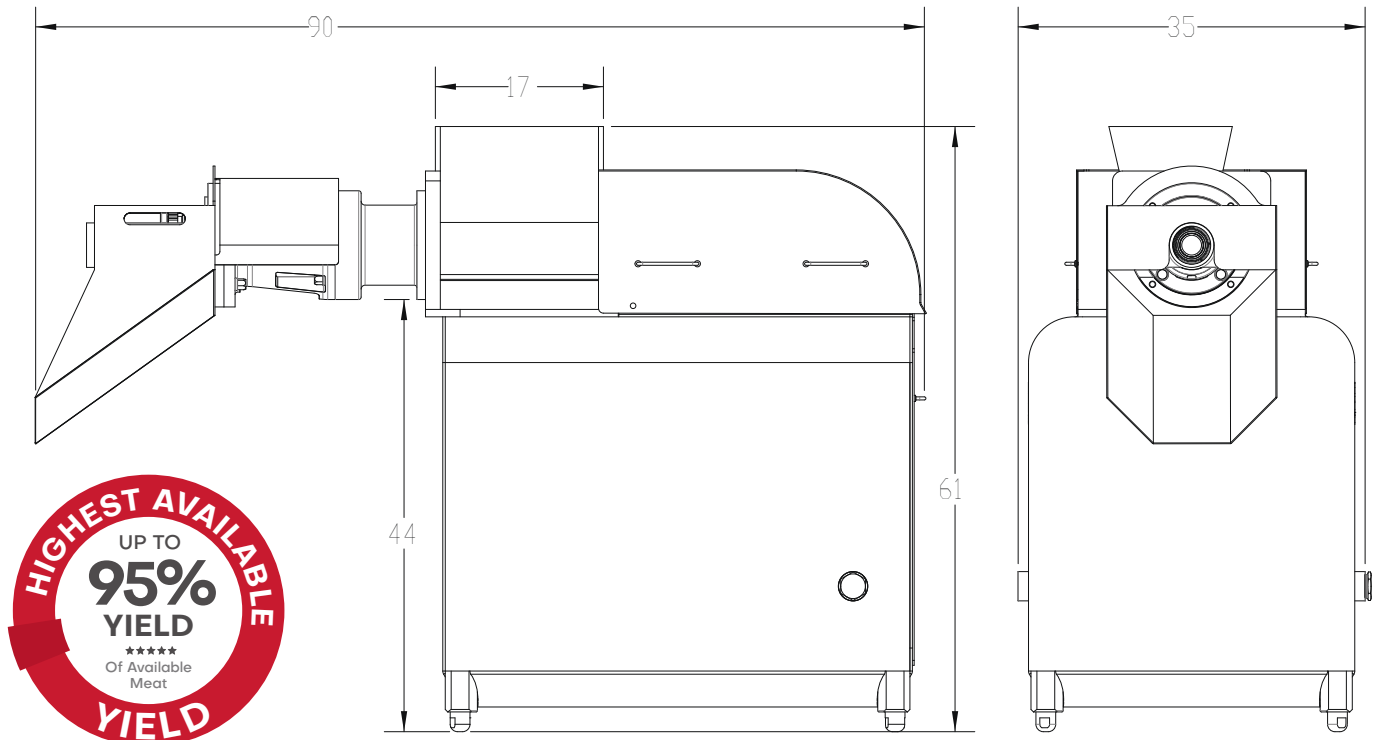
- 1,500 kg/hr (3,300 lbs/hr) input capacity.
- 5" Separation screw (single or dual screws).
- 8" Head length (screen plates or perforated).
- 20-30 hp (15-22 kW) Motor.
- POSS Manual Restrictor.
- Integrated head cover & residue chute.

“POSS Maintains the Highest Yields and Lowest Temperature Rise in the Industry”

“World Leader in Quality Separation Solutions since 1978”



A DURAVANT COMPANY



ProMax 1500

TECH SPECS

INPUT CAPACITY	Up to 1,500 kg/hr (3,300 lbs/hr)
STANDARD CONFIGURATION	5" Single or Dual Screws
MACHINE POWER	20-30 hp (15-22 kW)
TRANSMISSION	Extruder Belt Drive
HOPPER GEOMETRY	17" x 12"
HOPPER EXTENSION	Customizable
HEAD GEOMETRY	5" x 8"
CONTROLS	HMI Control Panel with Line Integration or Simple Start/Stop

NOTES:

"World Leader in Quality Separation Solutions since 1978"