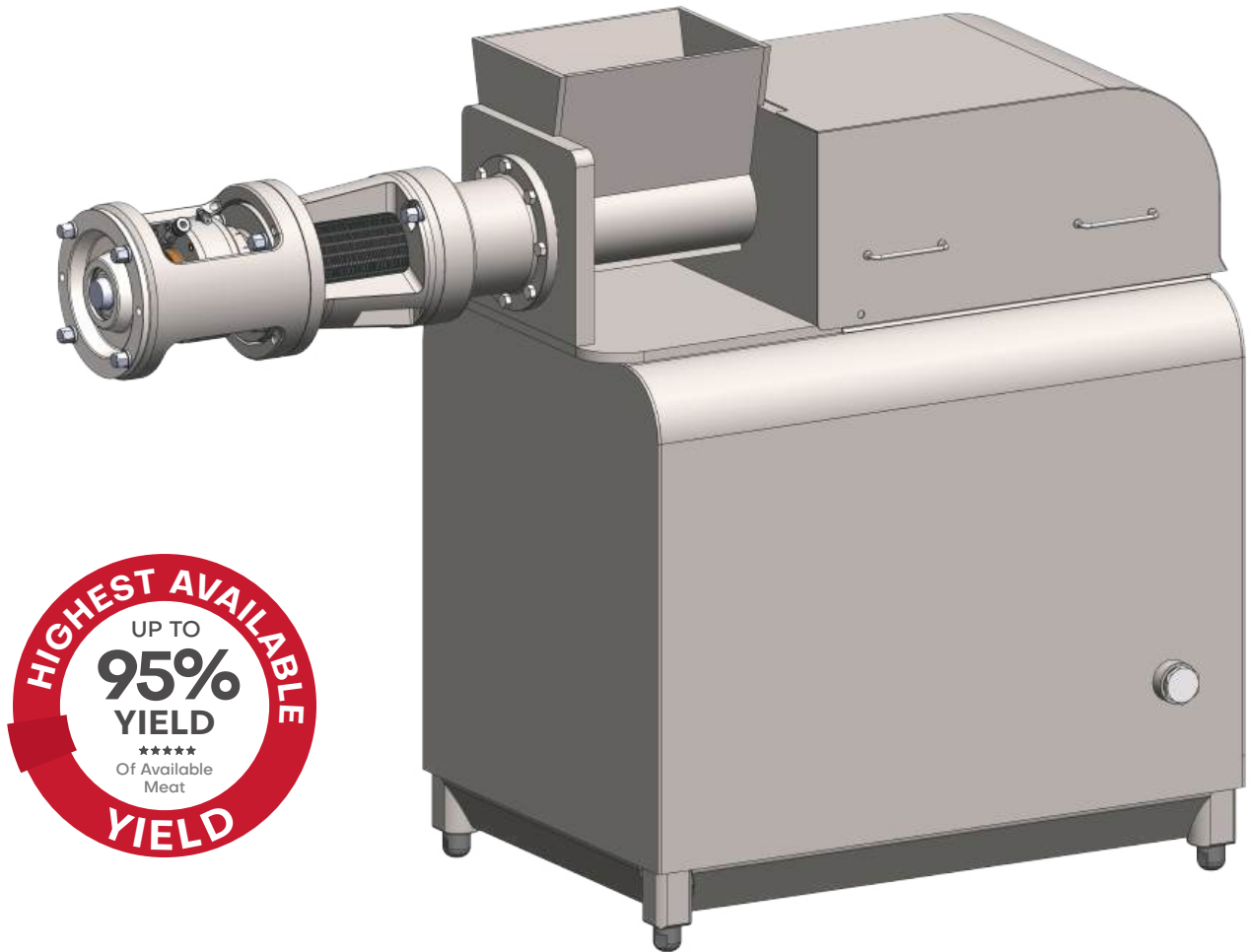




A DURAVANT COMPANY



# ProMax 3000

## EQUIPMENT HIGHLIGHTS

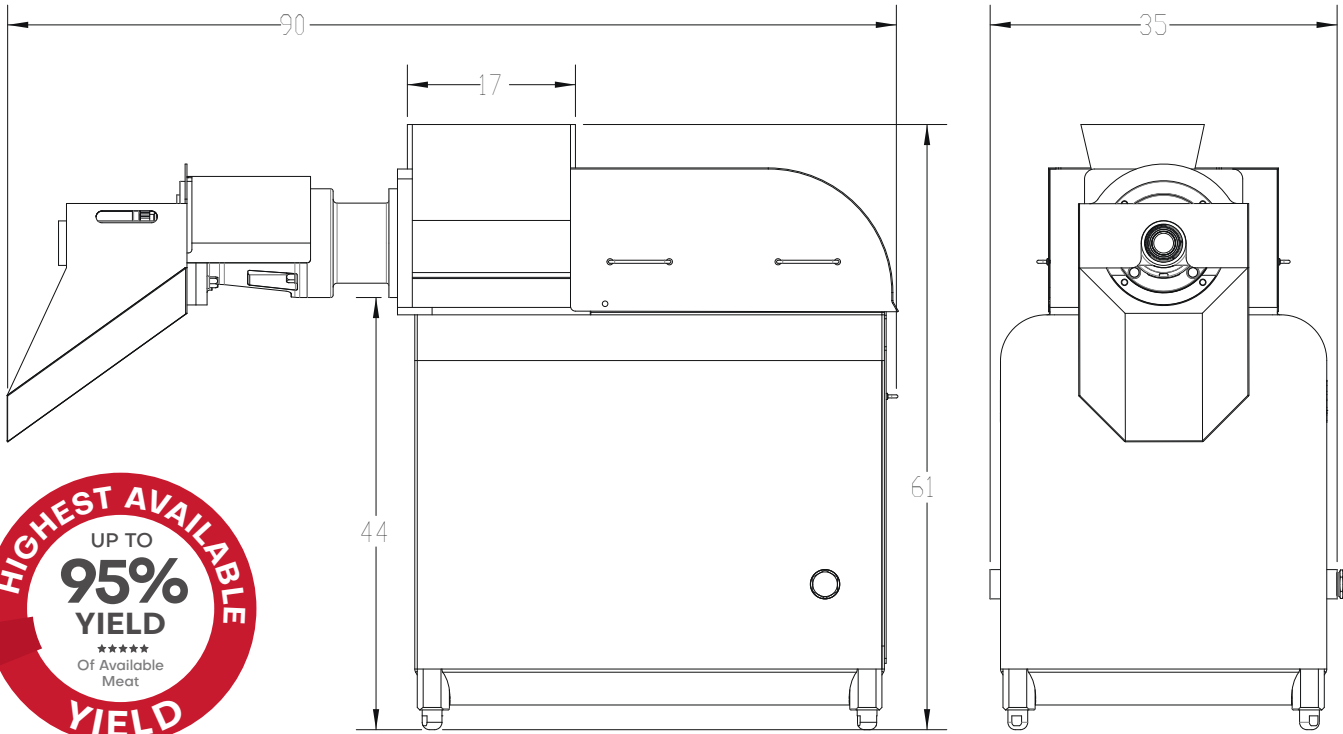
- 3,000 kg/hr (6,500 lbs/hr) input capacity.
- 5" Separation screw (single or dual screws).
- 8" Head length (screen plates or perforated).
- 30-40 hp (22-30 kW) Motor.
- POSS Auto Restrictor option available.
- Integrated head cover & residue chute.

**“POSS Maintains the Highest Yields and Lowest Temperature Rise in the Industry”**

“World Leader in Quality Separation Solutions since 1978”



A DURAVANT COMPANY



# ProMax 3000

## TECH SPECS

INPUT CAPACITY	Up to 3,000 kg/hr (6,500 lbs/hr)
STANDARD CONFIGURATION	5" Single or Dual Screws
MACHINE POWER	30-40 hp (22-30 kW)
TRANSMISSION	Extruder Belt Drive
HOPPER GEOMETRY	17" x 12"
HOPPER EXTENSION	Customizable
HEAD GEOMETRY	5" x 8"
CONTROLS	HMI Control Panel with line integration

## NOTES:

---



---



---



---



---



---



---

"World Leader in Quality Separation Solutions since 1978"