

ProMax 300C

EQUIPMENT HIGHLIGHTS

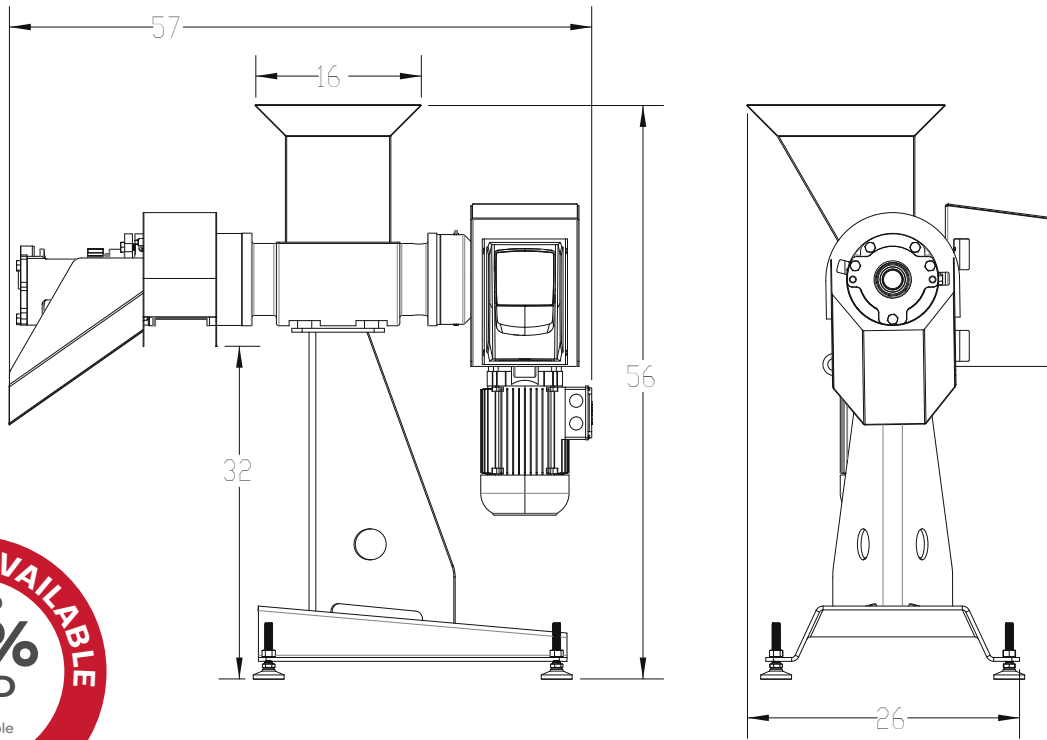
- 500 kg/hr (1,100 lbs/hr) input capacity.
- 4" Separation screw (single or dual screws).
- 5" Head length (screen plates or perforated).
- 7.5 hp (6 kW) Motor.
- POSS Manual Restrictor.
- Integrated head cover & residue chute.

“POSS Maintains the Highest Yields and Lowest Temperature Rise in the Industry”

“World Leader in Quality Separation Solutions since 1978”



A DURAVANT COMPANY



ProMax 300C

TECH SPECS

INPUT CAPACITY	Up to 500 kg/hr (1,100 lbs/hr)
STANDARD CONFIGURATION	4" Single or Dual Screws
MACHINE POWER	7.5 hp (6 kW)
TRANSMISSION	Direct Drive
HOPPER GEOMETRY	16" x 19"
HOPPER EXTENSION	Standard
HEAD GEOMETRY	4" x 5"
CONTROLS	Mounted Washdown VFD or Simple Start/Stop

NOTES:

"World Leader in Quality Separation Solutions since 1978"