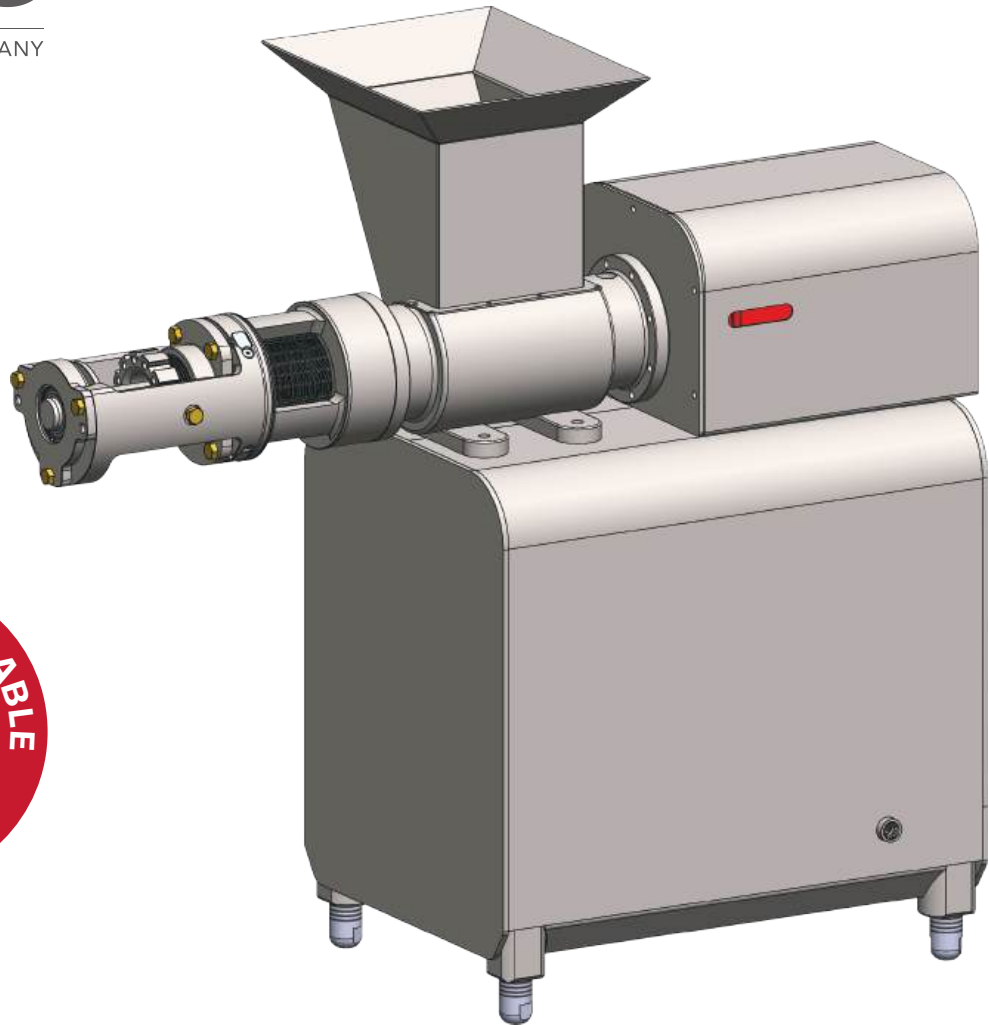




A DURAVANT COMPANY



ProMax 500

EQUIPMENT HIGHLIGHTS

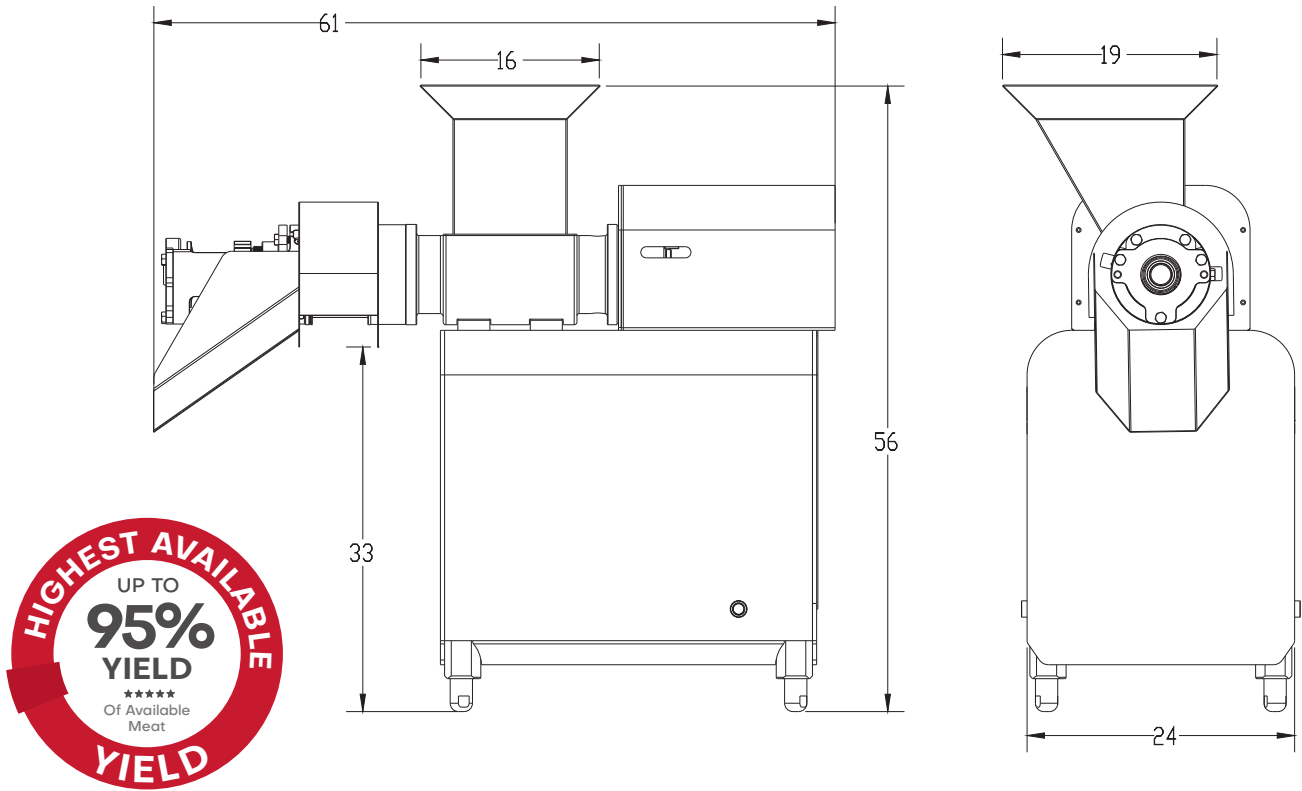
- 700 kg/hr (1,500 lbs/hr) input capacity.
- 4" Separation screw (single or dual screws).
- 5" Head length (screen plates or perforated).
- 15 hp (11 kW) Motor.
- POSS Manual Restrictor.
- Integrated head cover & residue chute.

“POSS Maintains the Highest Yields and Lowest Temperature Rise in the Industry”

“World Leader in Quality Separation Solutions since 1978”



A DURAVANT COMPANY



ProMax 500

TECH SPECS

INPUT CAPACITY	Up to 700 kg/hr (1,500 lbs/hr)
STANDARD CONFIGURATION	4" Single or Dual Screws
MACHINE POWER	15 hp (11 kW)
TRANSMISSION	Extruder Belt Drive
HOPPER GEOMETRY	16" x 19"
HOPPER EXTENSION	Standard - 25" x 30"
HEAD GEOMETRY	4" x 5"
CONTROLS	HMI Control Panel with Line Integration or Simple Start/Stop

NOTES:

"World Leader in Quality Separation Solutions since 1978"