

# ProMax 7000

## EQUIPMENT HIGHLIGHTS

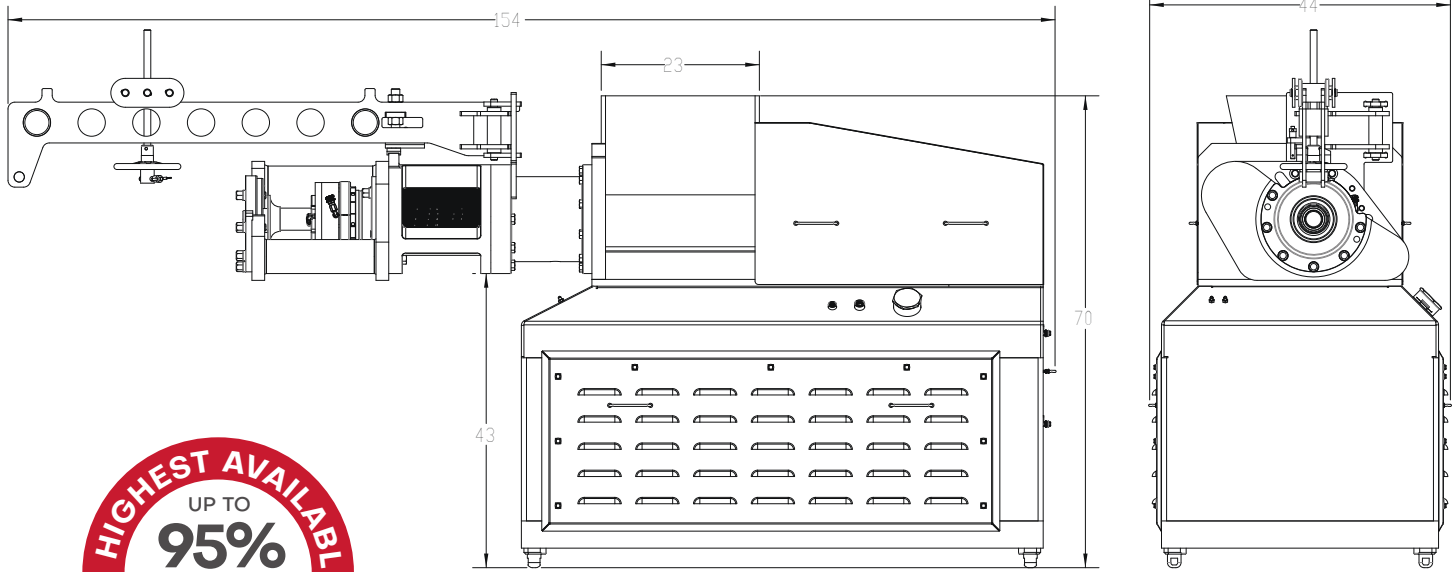
- 8,000 kg/hr (17,500 lbs/hr) input capacity.
- 7" Separation screw (single or dual screws).
- 11.5" Head length (screen plates or perforated).
- 100-125 hp (75-95 kW) Motor.
- POSS Auto Restrictor option available.
- Integrated assembly crane.

**“POSS Maintains the Highest Yields and Lowest Temperature Rise in the Industry”**

“World Leader in Quality Separation Solutions since 1978”



A DURAVANT COMPANY



# ProMax 7000

## TECH SPECS

|                        |   |
|------------------------|---|
| INPUT CAPACITY         | Up to 8,000 kg/hr (17,500 lbs/hr)       |
| STANDARD CONFIGURATION | 7" Single Screw Setup                   |
| MACHINE POWER          | 100-125 hp (75-95 kW)                   |
| TRANSMISSION           | Extruder Belt Drive                     |
| HOPPER GEOMETRY        | 23" x 18"                               |
| HOPPER EXTENSION       | Customizable                            |
| HEAD GEOMETRY          | 7" x 11.5"                              |
| CONTROLS               | HMI Control Panel with line integration |

## NOTES:

---



---



---



---



---



---



---



---

"World Leader in Quality Separation Solutions since 1978"