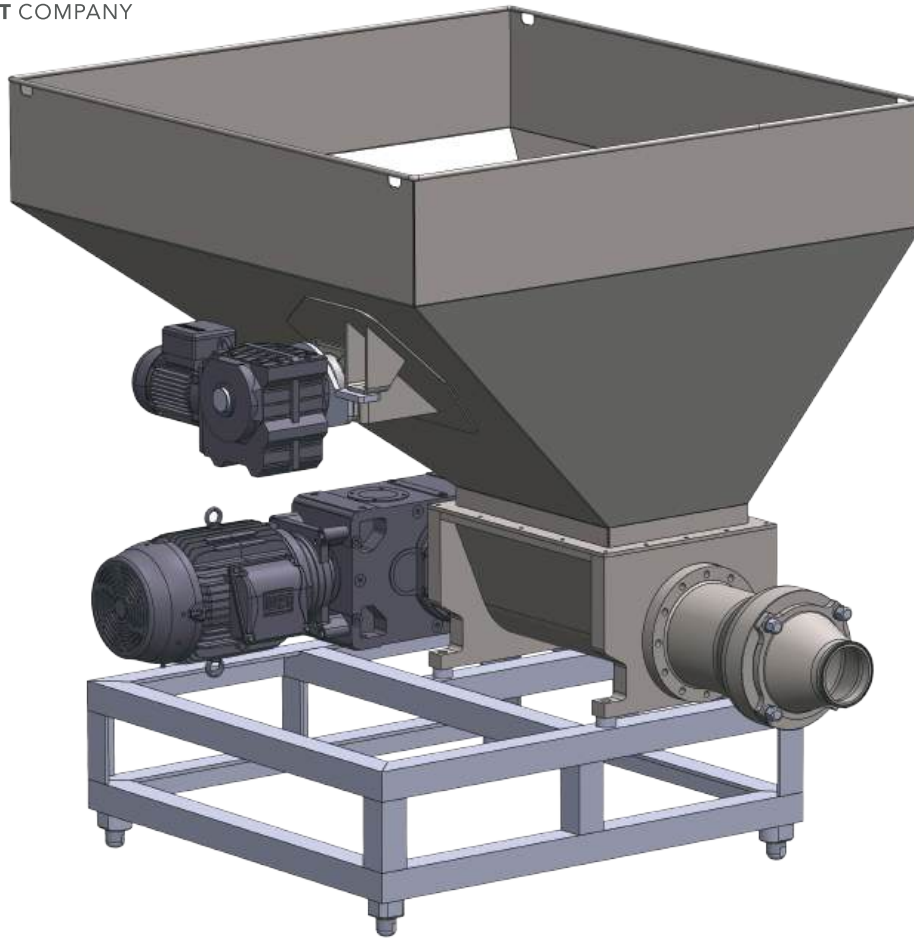




A DURAVANT COMPANY



Vortex Feed System

EQUIPMENT HIGHLIGHTS

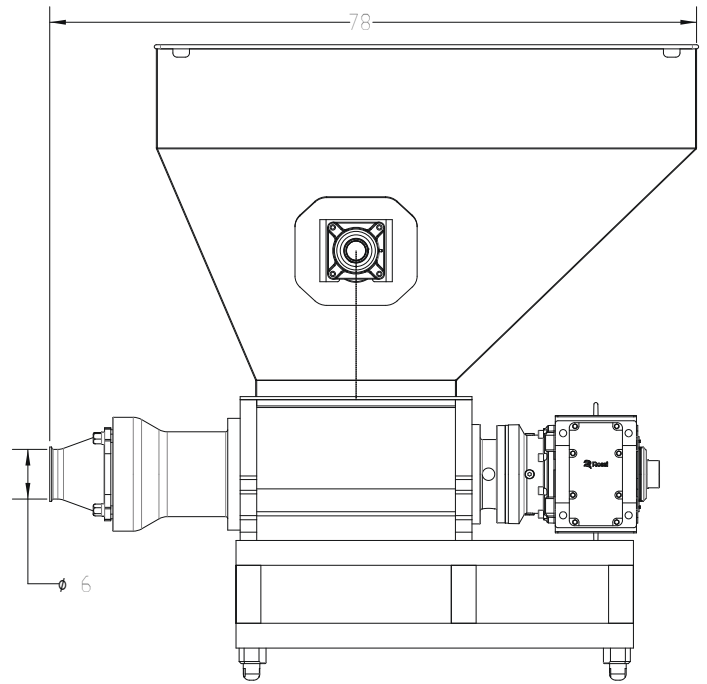
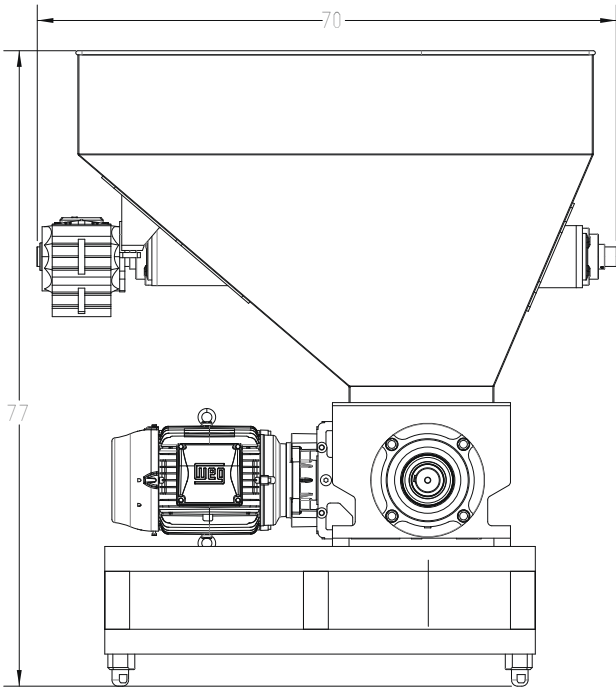
- Up to 9,000 kg/hr (20,000 lbs/hr) capacity.
- 8" Feed screw.
- 6" Triclamp connection.
- Front discharge position.
- Standard assembly tools and wash cart included.
- Small footprint & sanitary design.

**“The POSS Vortex
Pre-Sizes and
Conveys Large Bone
Material for
Separation ALL in a
Compact Footprint”**

“World Leader in Quality Separation Solutions since 1978”



A DURAVANT COMPANY



Vortex

TECH SPECS

INPUT CAPACITY	Up to 9,000 kg/hr (20,000 lbs/hr)
STANDARD CONFIGURATION	8" Feed Screw
MACHINE POWER	20 hp (15 kW)
TRANSMISSION	Direct Drive
HOPPER AGITATOR	Standard
HOPPER EXTENSION	Customizable
DRIVE OPTIONS	Gearmotor with Isolation Zone
CONTROLS	Washdown VFD or Simple Start/Stop

NOTES:

"World Leader in Quality Separation Solutions since 1978"